

RPS

Pres Campion Sanitaria



**SANITARY
SAMPLING
VALVES**

Sanitary sampling valves

RPS SAMPLING

CHARACTERISTICS

The **RPS** fully autoclavable sampling valves are designed for aseptic sampling of liquids and pharmaceutical products.

Made entirely in AISI 316L, the standard version is in the form of a rod with a 3/4" clamp and no welding.

On request, the connection to the process may be modified as indicated.

Easily installed onto distribution lines or onto tanks, this valve can be kept in aseptic conditions between one sample and another by using a silicon cap which closes the "luer slip" outlet. It's special design prevents deposits of bacteria and particles, possibly distorting the results of bacteriological tests carried out while allowing samples to be taken from the middle of the line enabling a representative sample to be taken. Extremely economical and very easy to use, the valve opens by turning the head knurled ratchet in an anticlockwise direction and then clockwise to return it to the closed position.

TECHNICAL DATA

MATERIALS

Valve body: AISI 316L
Shaft: AISI 316L
O-ring: Standard silicone
Optional viton
Plug: Standard silicone
Optional viton or PTFE

MAX WORKING CONDITIONS

Max Pressure: to 10 bar and 150°C

PROCESS CONNECTIONS

Standard: clamp 3/4" BS
Optional: clamp 1" BS
3/8"-1/2" gas male thread
butt-weld

OUTLET CONNECTIONS

Standard: LUER SLIP joint
Optional: Rubber hose Ø 6mm
Rapid connection

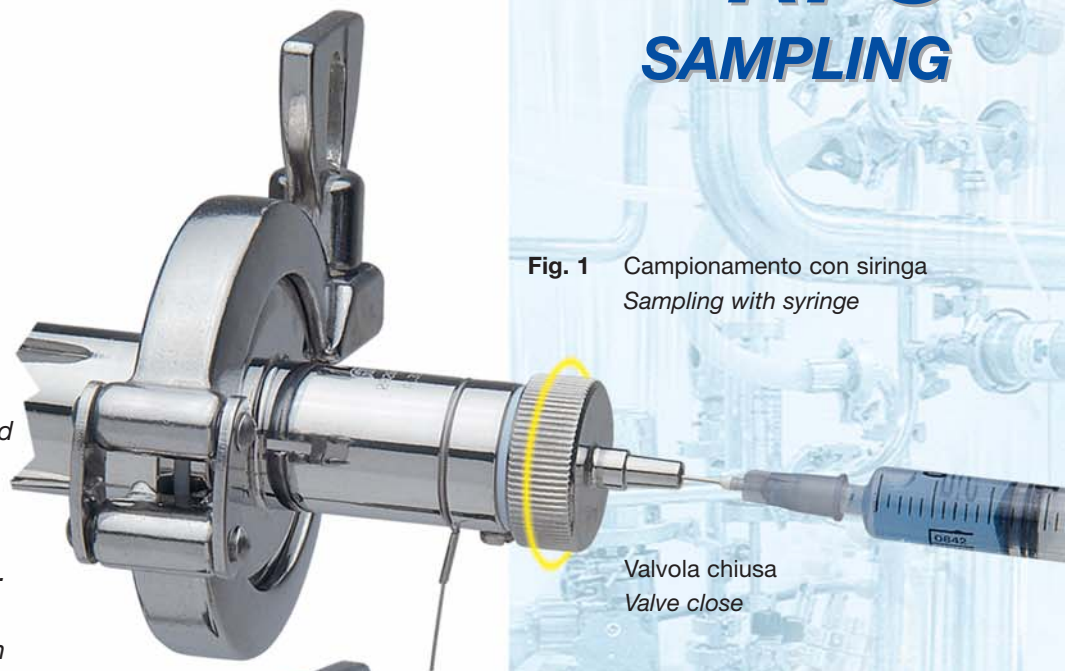


Fig. 1 Campionamento con siringa
Sampling with syringe

Valvola chiusa
Valve close

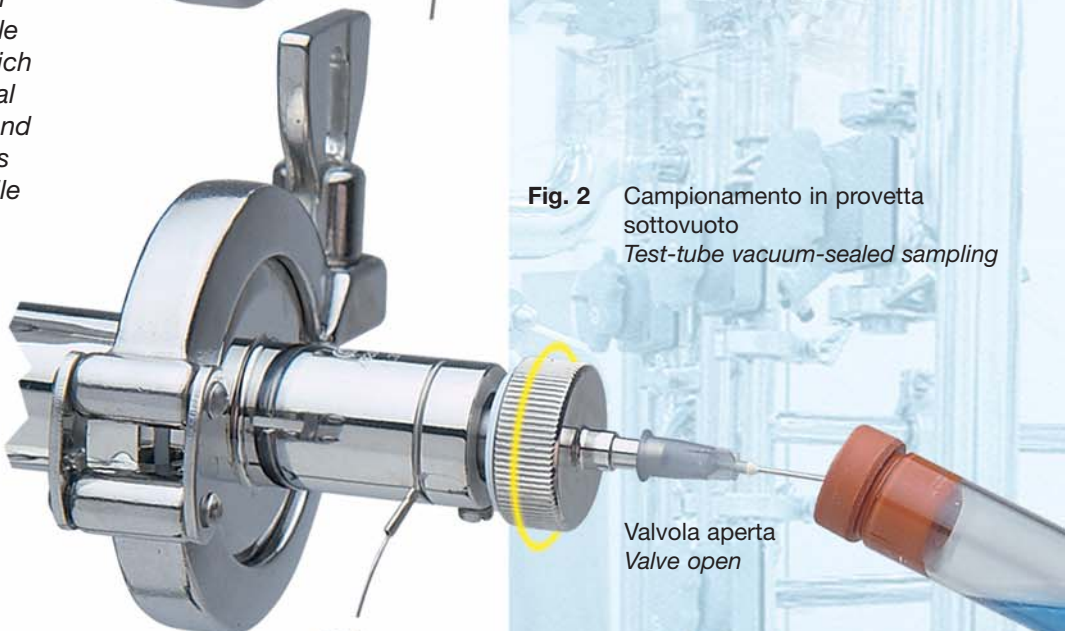


Fig. 2 Campionamento in provetta sottovuoto
Test-tube vacuum-sealed sampling

Valvola aperta
Valve open

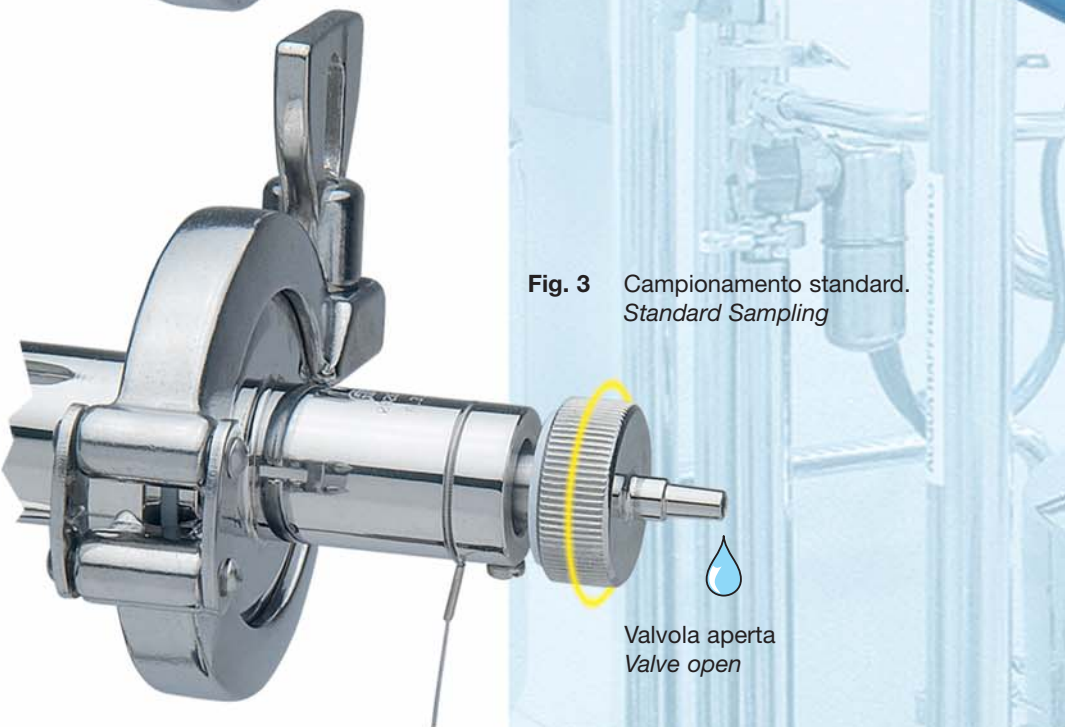


Fig. 3 Campionamento standard.
Standard Sampling

Valvola aperta
Valve open

Rps Available Body

**Standard
CLAMP 3/4" BS**

Esecuzione H a faccia piana
H execution flat face
RPS-X-TC 3/4 / H

Esecuzione T con tubo di sample
T execution with sampling pipe
RPS-X-TC 3/4 / T-LUER

RPS-G-TC 3/4 90°

**Optional
CLAMP 1" BS**

RPS-X-TC1 / H

RPS-X-TC1 / T-LUER

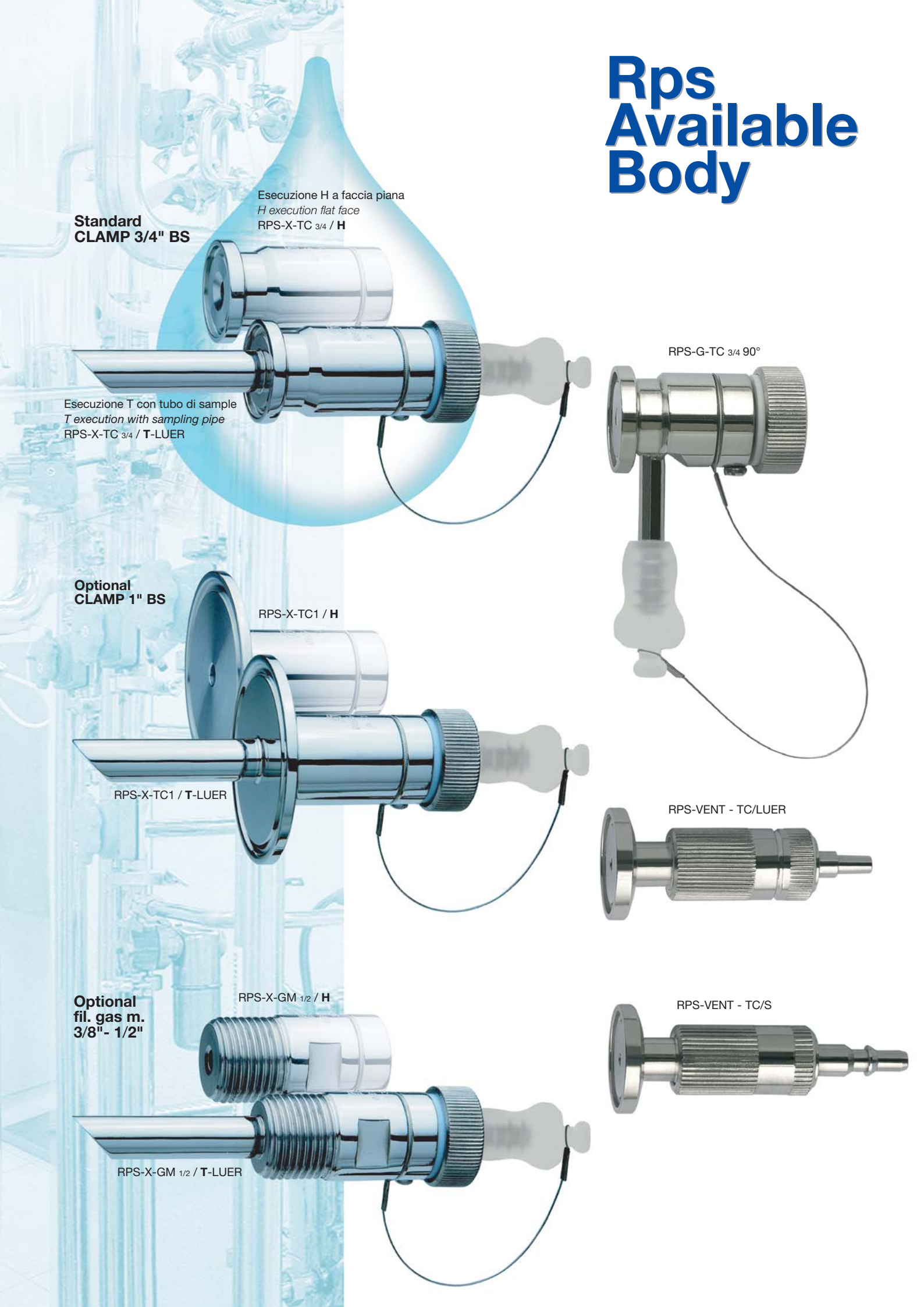
RPS-VENT - TC/LUER

**Optional
fil. gas m.
3/8"- 1/2"**

RPS-X-GM 1/2 / H

RPS-X-GM 1/2 / T-LUER

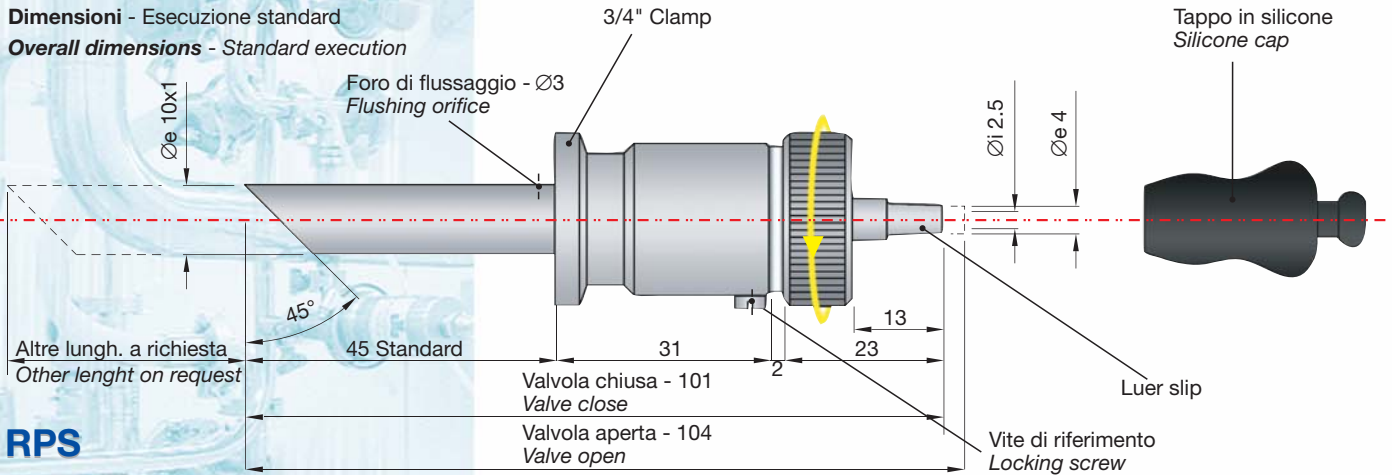
RPS-VENT - TC/S



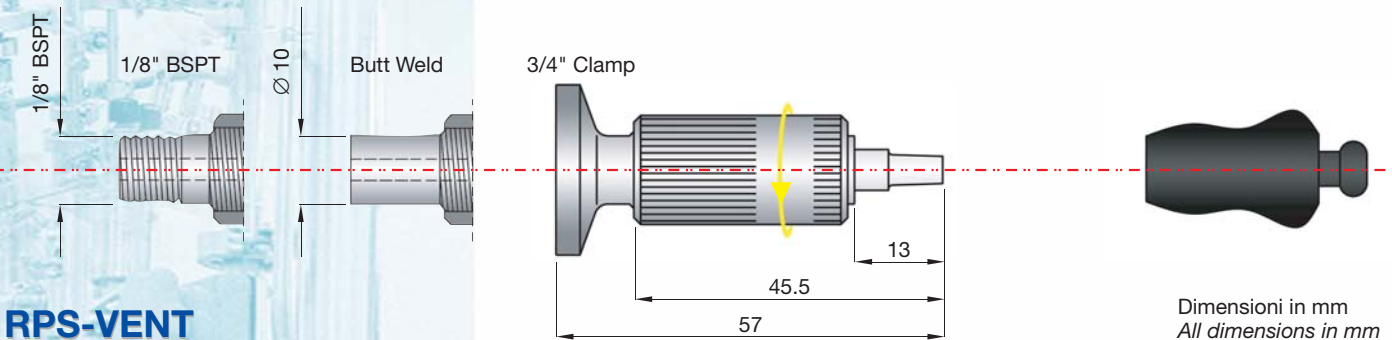
Presca campione sanitaria

Dimensioni - Esecuzione standard

Overall dimensions - Standard execution



RPS



RPS-VENT

INSTALLAZIONE

In funzione del tipo di connessione, la valvola potrà essere installata con corpo a saldare, clampato o filettato.

Essendo il senso del flusso unidirezionale, bisogna rispettare l'orientamento della vite di riferimento per un corretto flussaggio del corpo valvola.

Per qualunque tipo di connessione, installare la valvola con l'uscita luer sull'asse orizzontale, parallelo al pavimento; nel caso di flusso con direzione dal basso verso l'alto, la vite di riferimento dovrà essere posizionata in basso, nel caso invece di flusso con direzione dall'alto verso il basso, la vite di riferimento dovrà essere posizionata in alto.

INSTALLATION

Depending on the type of connection, the valve may be installed by welding, screwing or clamping the body.

As the direction of flow is one-way, check the direction of the reference screws to ensure the body valve flow is correct.

For all types of connection, ensure the luer outlet is horizontal to the valve and parallel with the floor.

If flow is vertically upwards, the reference screws must be placed at the bottom, while if the flow is vertically downwards, the reference screws must be placed at the top.

TIPI DI ATTACCHI - SAMPLE CONNECTIONS



LUER SLIP - esecuzione standard
LUER SLIP - standard execution



ATTACCO RAPIDO - optional
RAPID CONNECTION - optional



PORTAGOMMA - optional
RUBBER HOSE - optional



Sanitary standards symbol
administrative council
certificate of authorization # 1037
for standard no. 59-00

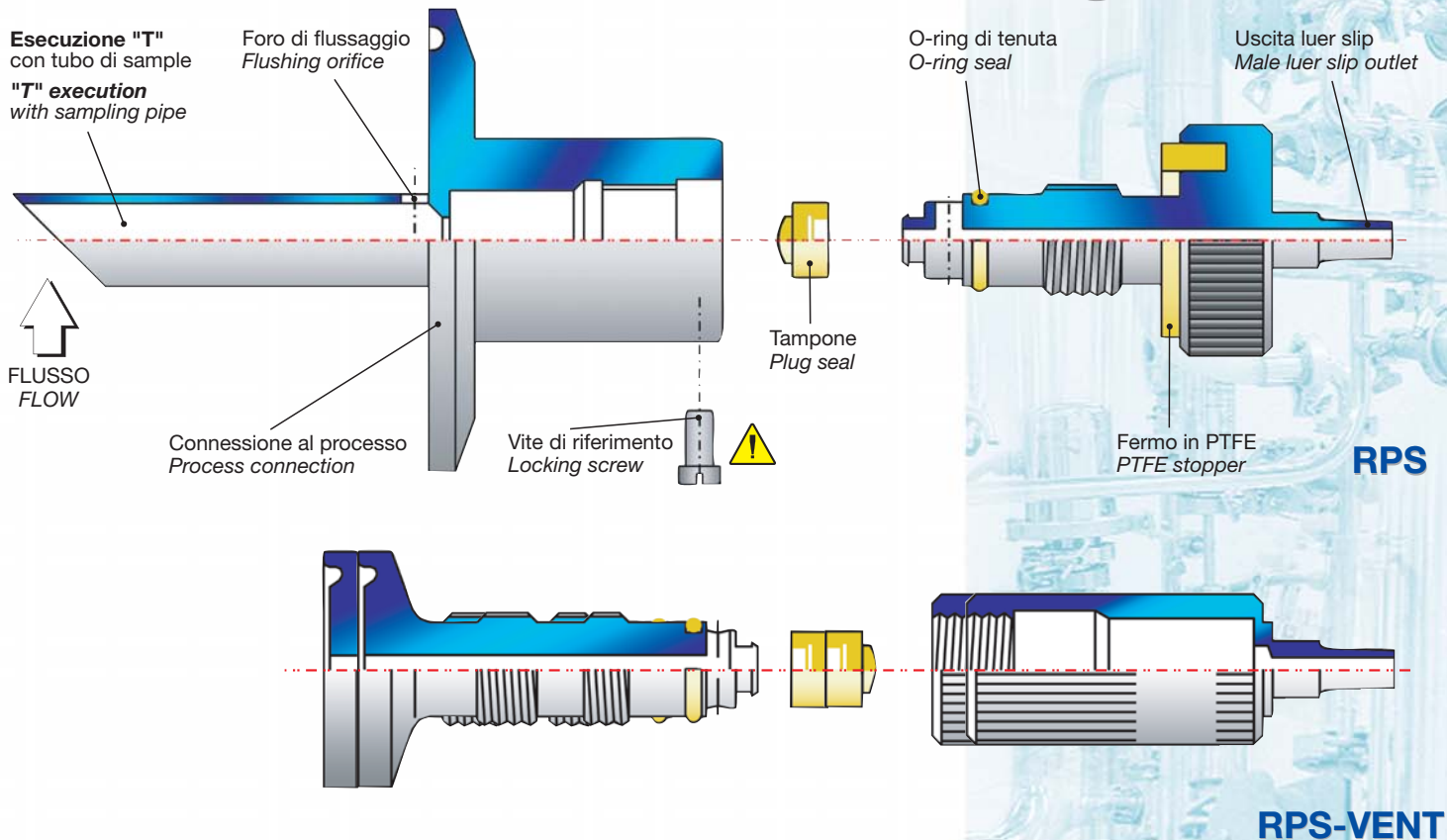
DOCUMENTAZIONE

Ai fini della tracciabilità dei pezzi per la validazione degli impianti, sono corredate a richiesta da certificati di analisi chimica dei materiali EN 10 204 3.1B certificati di conformità alle normative 3A e FDA, strisciate di rugosità.

DOCUMENTATION

All valves are fully traceable for validation processes.
Each valves is accompanied by material test certificates EN 10 204 3.1B 3A standards compliance certificates, FDA regulations compliance certificates, and tapes detailing the valve interior surfaces Ra.

Sanitary sampling valve



Ricambi Spare parts

cod. TRPS-V

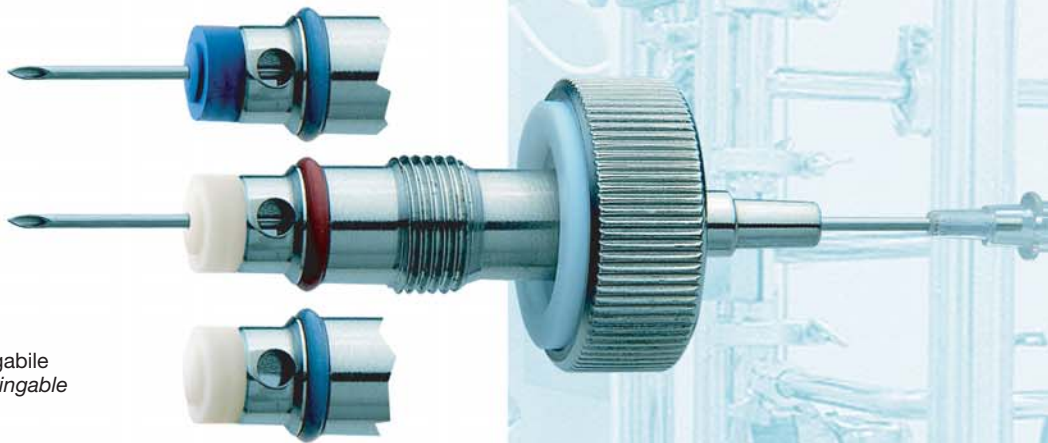
Tamponi e o-ring in VITON - siringabile
Plug seal and o-ring in VITON - syringable

cod. TRPS-X

Tamponi e o-ring in SILICONE - siringabile
Plug seal and o-ring in SILICONE - syringable

cod. TRPS-G

Tamponi in PTFE e o-ring in VITON - NON siringabile
Plug seal in PTFE and o-ring in VITON - NOT syringable



Come ordinare How to order

Esempio - Example

1 **2** **3** **4** **5**
RPS / X / TC1 / T / LUER

Tipo valvola
Valve type
RPS

RPS-VENT

Tamponi
Plug seal
X Silicone
V Viton
G PTFE

X Silicone
V Viton
G PTFE

Attacco corpo
Valve connection
TC3/4" clamp BS
TC1" clamp BS
GM3/8" fil. gas m.
GM1/2" fil. gas m.

TC3/4" clamp BS
GM1/8" BSPT
BW butt weld

Esecuzione
Execution
T con tubo di sample
with sampling pipe
H faccia piana
flat face

H faccia piana
flat face

Attacco sample
Sample connection
LUER luer slip
P portagomma
rubber hose
S attacco rapido
rapid connection

LUER luer slip
P/S