



Sanitary
flow
equipment

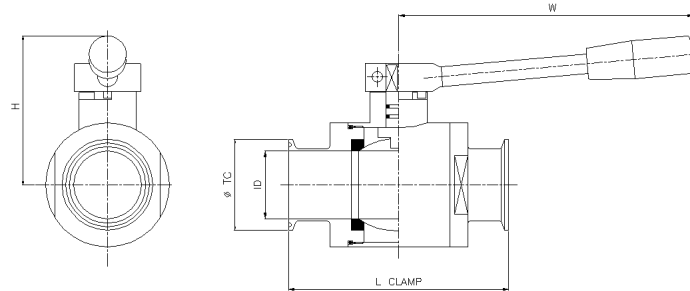


Quality
System
Certified
ISO 9001

VS STANDARD dimensions.doc
Rev.00 Page 1 of 1

VS-101TC Standards Dimensions and torque values

MANUAL HANDLE



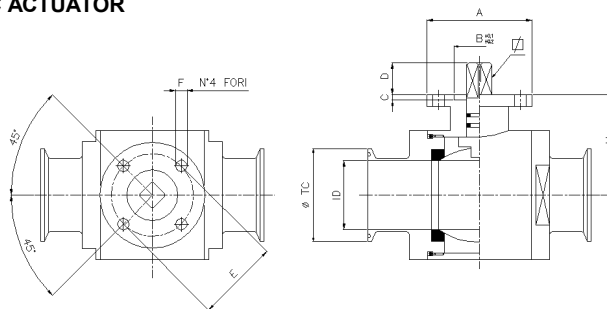
| CODE | INCH | DN | ØTC | ID | LTC | W | H | Kv |
|-------------------|--------|-----|-------|------|-----|-----|-----|-------|
| VS 3/4" - 101TC | 3/4" | 20 | 25 | 16 | 88 | 93 | 60 | 10,2 |
| VS 1" - 101TC | 1" | 25 | 50,4 | 25 | 95 | 124 | 70 | 24,6 |
| VS 1" 1/2 - 101TC | 1" 1/2 | 40 | 50,4 | 33 | 110 | 142 | 80 | 48,3 |
| VS 2" - 101TC | 2" | 50 | 64 | 48,5 | 138 | 185 | 100 | 77,8 |
| VS 2" 1/2 - 101TC | 2" 1/2 | 65 | 77,4 | 60 | 186 | 185 | 110 | 87,0 |
| VS 3" - 101TC | 3" | 80 | 90 | 75 | 185 | 240 | 115 | 105,6 |
| VS 4" - 101TC | 4" | 100 | 118,8 | 98 | 215 | 240 | 150 | 129,0 |

Kv in mc/h = Kv value with fully open ball; fluids: water, ambient temperature 20°C
L overall length = standard LTC clamped

special end connections available on request as following :

| | | |
|--|--|---|
| VS-102TC clamp/butt weld | VS-103TC clamp/flanged PN6 | VS-104TC BS-OD butt weld/butt w |
| VSD-97A DIN 11851 fem/fem | VSD-98A DIN11851 male+liner/fem | VSD-MG/MG DIN11851 male+liner/male+liner |
| VSD-100A DIN 11851 fem/ flanged PN6 | VSD-101A flanged PN6/ flanged PN6 | VSG-106 BSP female/BSP female |
| VSG-106A BSP female/BSP male | VSG-106B BSP male/BSP male | VSG-106C BSP female/rubber hose |

ISO 5211 MOUNTING PAD FOR PNEUMATIC ACTUATOR



| CODE | A | B | C | D | E | F | ISO | □ | Nm | H |
|-------------------|--------|-------|-------|---------|-------|---------|---------|-------|-----|-------|
| Actuator type | SR-DA | SR-DA | SR-DA | SR-DA | SR-DA | SR-DA | SR-DA | SR-DA | @ | |
| VS 3/4" - 101TC | Ø45 | 25 | 2,5 | 7 | 36 | 5,5 | F03 | 9 | 15 | 34 |
| VS 1" - 101TC | Ø45 | 25 | 2,5 | 8,5 | 36 | 5,5 | F03 | 9 | 15 | 45 |
| VS 1" 1/2 - 101TC | Ø55-45 | 30-25 | 2,5 | 8,5-7,5 | 42-50 | 5,5-6,5 | F04-F05 | 11-9 | 30 | 53-52 |
| VS 2" - 101TC | Ø65 | 35 | 3,5 | 14,5-11 | 50 | 6,5 | F05 | 14-11 | 60 | 72,5 |
| VS 2" 1/2 - 101TC | Ø65 | 35 | 3,5 | 14,5-11 | 50 | 6,5 | F05 | 14-11 | 60 | 85,5 |
| VS 3" - 101TC | Ø65 | 35 | 3,5 | 14,5 | 50 | 6,5 | F05 | 17-14 | 120 | 90 |
| VS 4" - 101TC | Ø85 | 35 | 3,5 | 23-18 | 70 | 8,5 | F07 | 22-17 | 240 | 118,5 |

Pneumatic actuator type : SR = Simple Effect, spring return **DA= Double Effect, air to close**
@ Maximum break-out torque in Nm.

In the interests of development and improvement of the product, we reserve the right to change the specifications without prior notice.