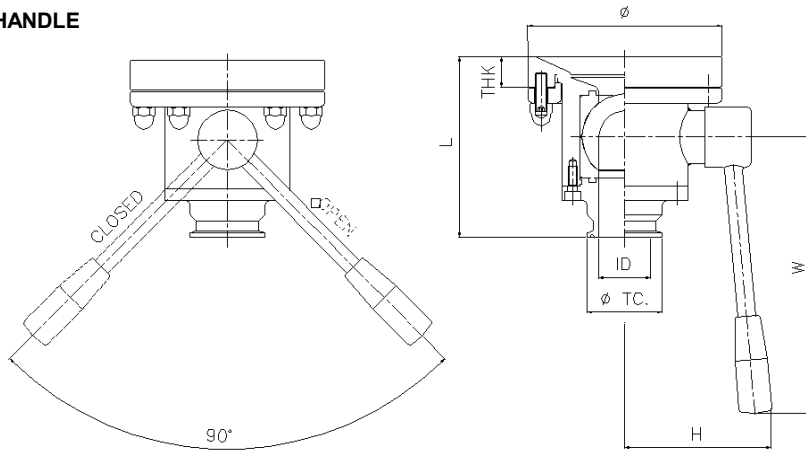


## VSS-TB-TK Flush Tank Bottom

### MANUAL HANDLE

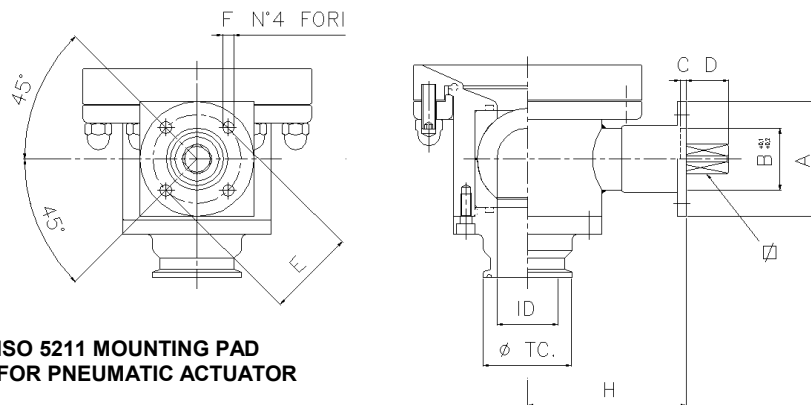


Dimensions table

CODE	INCH	DN	ØTC	ID	L	W	H	TK-Conn	Ø	Thk
VSS 1"-97TC-6	1"	25	50,4	22,1	95	72	155	2"1/2	112	17
VSS 1"1/2-97TC-6	1" 1/2	40	50,4	34,8	120	85	185	3"	130	20
VSS 2"-97TC-6	2"	50	64	47,5	140	95	185	4"	170	20
VSS 2"1/2-97TC-6	2" 1/2	65	77,4	60,2	150	100	245	4"	170	20
VSS 3"-97TC-6	3"	80	90	72,9	170	115	245	6"	220	30
VSS 4"-97TC-6	4"	100	118,8	97,6	Not applicable with TK-Connections					

Special executions available on request :

TK-Conn Welding plate with radius or bigger different thickness, extended tube for orbital welding, special adaptors plate



### ISO 5211 MOUNTING PAD FOR PNEUMATIC ACTUATOR

Dimensions table

CODE	A	B	C	D	E	F	ISO	□	Nm	H
Actuator type	SR-DA	SR-DA	SR-DA	SR-DA	SR-DA	SR-DA	SR-DA	SR-DA	@	
VSS 1"-TB-TK	Ø55-45	30-25	2,5	11,5-10	42-50	5,5-6,5	F04-F05	11-9	30	
VSS 1"1/2-TB-TK	Ø65	35	3,5	14,5-12	50	6,5	F05	14-11	60	
VSS 2"-TB-TK	Ø65	35	3,5	14,5	50	6,5	F05	17-14	120	
VSS 2"1/2-TB-TK	Ø85	35	3,5	19-14,5	70	8,5	F07	22-17	180	
VSS 3"-TB-TK	Ø85	35	3,5	19-14,5	70	8,5	F07	22-17	240	
VSS 4"-TB-TK	Ø150-120	85-55	3,5	25-18	125-102	13-11	F12-F10	27-22	480	

Pneumatic actuator type : SR = Simple Effect, spring return DA= Double Effect, air to close

@ Maximum break-out torque in Nm.