



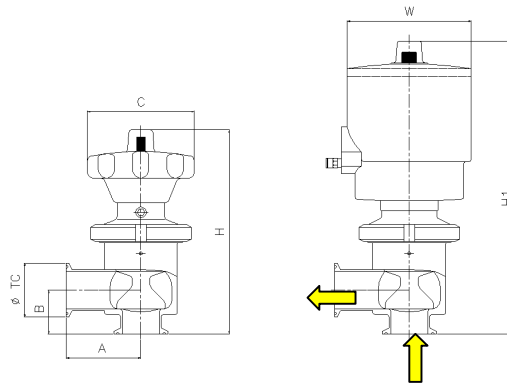
Sanitary
flow
equipment



Quality
System
Certified
ISO 9001

VA Radial seated diaphragm valve dimensions.doc
Rev.00 Page 1 of 1

VA-TC/ L Radial Seated Diaphragm valve



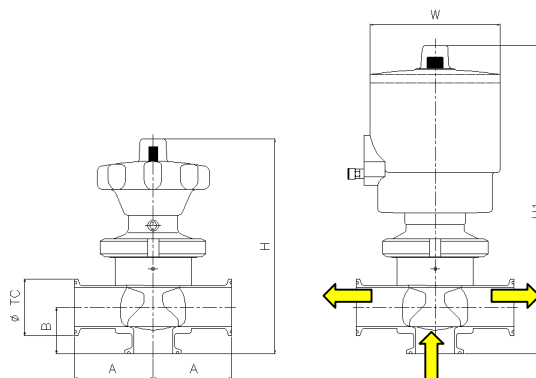
Dimensions table

CODE	INCH	DN	ØTC	ID	A	B	C	H	W	H1
VA-TC3/4"- L	3/4"	20	25	15,7	50	31	100	165	70	200
VA-TC1"- L	1"	25	50,4	22,1	59	35	100	180	85	230
VA-TC1"1/2- L	1" 1/2	40	50,4	34,8	70	41	100	200	116	275
VA-TC2"- L	2"	50	64	47,5	89	48	100	206	140	330
VA-TC3"- L	3"	80	90	72,9	100	81	100	260	140	360
VA-TC4"- L	4"	100	118,8	97,6	Available on request only					

Special executions available on request :

- TFM 1600 PTFE bellow diaphragm for high viscosity products
- Outlet port butt weld
- Stainless steel handle / pneumatic actuator
- Adjustable flow regulator
- Mechanical / inductive control box

VA-TC/ T Flow Through



Dimensions table

CODE	INCH	DN	ØTC	ID	A	B	H	H1
VA-TC3/4"- T	3/4"	20	25	15,7	50	31	165	200
VA-TC1"- T	1"	25	50,4	22,1	59	35	180	230
VA-TC1"1/2- T	1" 1/2	40	50,4	34,8	70	41	200	275
VA-TC2"- T	2"	50	64	47,5	89	48	206	330
VA-TC3"- T	3"	80	90	72,9	100	81	260	360
VA-TC4"- T	4"	100	118,8	97,6	Available on request only			

Special executions available on request :

- TFM 1600 PTFE bellow diaphragm for high viscosity products
- Outlet port butt weld
- Stainless steel handle / pneumatic actuator
- Adjustable flow regulator
- Mechanical / inductive control box