



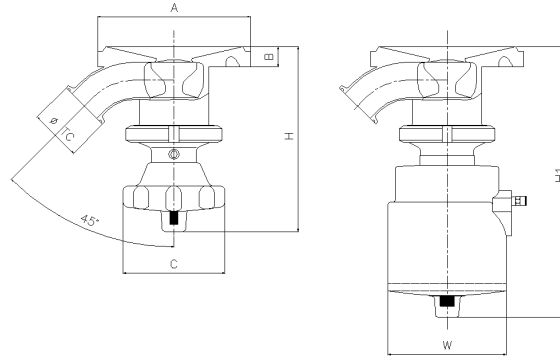
Sanitary
flow
equipment



Quality
System
Certified
ISO 9001

VFA TANK BOTTOM dimensions.doc
Rev.00 Page 1 of 1

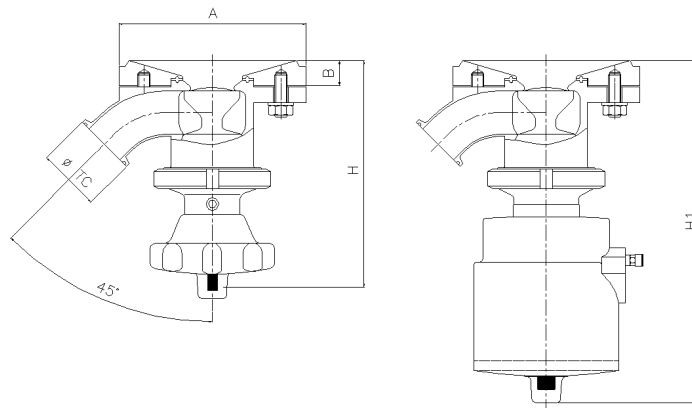
VFA - S/TC Flush Tank Bottom welded body



Dimensions table

CODE	INCH	DN	ØTC	ID	A	B	C	H	W	H1
VFA-S/TC1"	1"	25	50,4	22,1	100	15	100	165	85	230
VFA-S/TC1"1/2	1" 1/2	40	50,4	34,8	150	20	100	180	116	270
VFA-S/TC2"	2"	50	64	47,5	180	20	100	200	140	330
VFA-S/TC3"	3"	80	90	72,9	200	35	100	270	140	350
VFA-S/TC4"	4"	100	118,8	97,6	Available on request only					

VFA - FL/TC Flanged body removable



Dimensions table

CODE	INCH	DN	ØTC	ID	A	B	H	H1
VFA-FL/TC1"	1"	25	50,4	22,1	100	15	175	240
VFA-FL/TC1"1/2	1" 1/2	40	50,4	34,8	150	20	190	285
VFA-FL/TC2"	2"	50	64	47,5	180	20	205	345
VFA-FL/TC3"	3"	80	90	72,9	200	35	275	370
VFA-FL/TC4"	4"	100	118,8	97,6	Available on request only			

Special executions available on request :

- Welding plate with radius or bigger different thickness, special adaptors plate
- TFM 1600 PTFE bellow diaphragm for high viscosity products
- 45° Outlet port butt weld
- Stainless steel handle / pneumatic actuator
- Adjustable flow regulator
- Mechanical / inductive control box

Get the information you need and more at : info@erreinox.it

In the interests of development and improvement of the product, we reserve the right to change the specifications without prior notice.