



Sanitary  
flow  
equipment



Quality  
System  
Certified  
ISO 9001

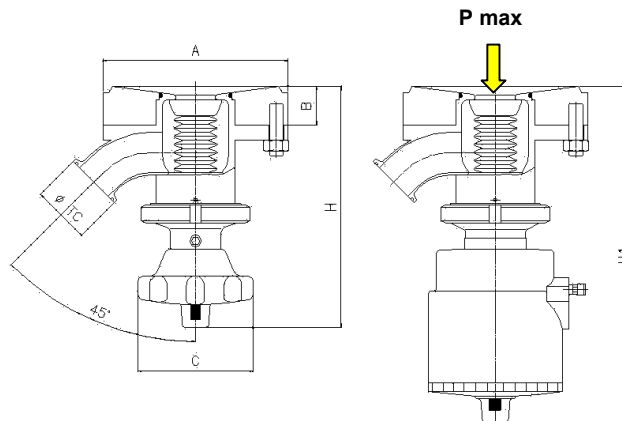
VFA-FL-OR TANK BOTTOM dimensions.doc  
Rev.00 Page 1 of 1

## VFA-FL /O-Ring Flanged body removable

**The new Tank Bottom valves “flush wall execution” with TFM 1600 PTFE bellow diaphragm for to solve all your problems with high viscosity products  
Radial seated diaphragm valve with unique  
O-Ring seal design minimizes bacteria traps  
and eliminates possibility of fluid retention**

### Advantages :

- Welding plate with radius or bigger different thickness, special adaptors plate
- Flush wall execution, no dead leg
- Sterilizable – Autoclavable
- High temperature and pressure resistant
- Full material traceability



Dimensions table

CODE	INCH	DN	ØTC	P max	A	B	H	H1
VFA-FL/TC1"	1"	25	50,4	7,5 bar	100	15	175	240
VFA-FL/TC1"1/2	1" 1/2	40	50,4	7,5 bar	150	20	190	285
VFA-FL/TC2"	2"	50	64	7,0 bar	180	20	205	345
VFA-FL/TC3"	3"	80	90	3,0 bar	200	35	275	370
VFA-FL/TC4"	4"	100	118,8	Available on request only				

Special executions available on request :

- 45°Outlet port butt weld
- heating jacket body
- Adjustable flow regulator
- Mechanical / inductive control box

### Surface finish :

wetted surface are finish with Ra<0,4 micron or better

### Marking:

To guarantee full traceability, following information will permanently be marked on the valve body :

- AR logo (identif. constructor)
- CE mark (when necessary)
- material grade
- heat number or lot number



In the interests of development and improvement of the product, we reserve the right to change the specifications without prior notice.