



Sanitary
flow
equipment

Quality
System
Certified
ISO 9001



TK-LUMINAIRE Dimensions.doc
Rev.00 Page 1 of 1

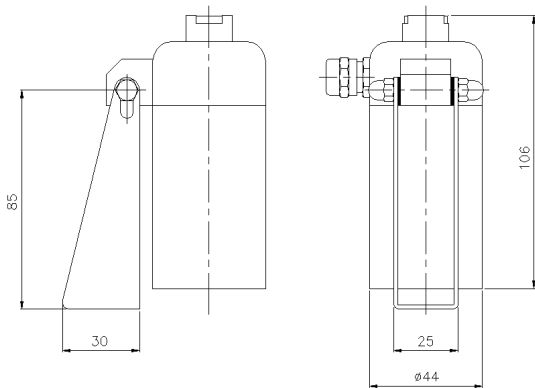
TK - Luminaire LS2024 LED9 (non Ex)

Applications :

Powerful stainless steel LS2024 LED9 luminaire can be mounted directly to any standard flanged sight glass or TK-Sight glass welded on vessel or pipeline and provides up to 20 watts of intense glare free illumination through a safety glass lens. Extremely compact are ideally suited for use with fittings for Aseptic conditions such as small sight glass
LS2024 LED9 are available with push button momentary on/off switch as well as for continuous operation

Advantages :

- Powerful illumination
- Suitable for food & pharma processing
- Flexible, fast and simple installation with no risk of breakage
- Minimal crevice for sanitary applications
- Dust and water jet proof IP65
- Customized for your needs



cold light 9 LED
lamp
type GU4 24V-

Luminaire stainless steel model series LS2024 LED9

Outer dia. 44 mm
Light exit dia. 32 mm
Also available with adjustable hinged
bracket or security clamp for use
directly with TK-Connections

Light

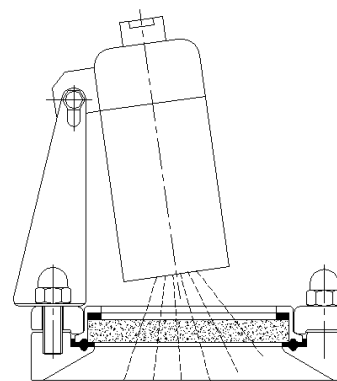
supply voltage 24V ac-60 mA
output 20 watts
power cable excluded
bulb life over 2000 hours

Material :

housing	ASTM A 479 / ASTM A 182 – 304
hinged bracket	ASTM A 479 / ASTM A 182 – 304
bolts	ASTM A 193 B8 – 304
glass	tempered glass

Surface finish :

external surface are satin finish Ra<0,8 micron or better



Get the information you need and more at : info@erreinox.it

In the interests of development and improvement of the product, we reserve the right to change the specifications without prior notice.