



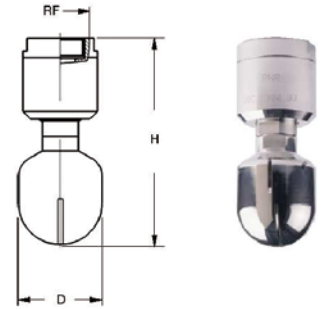
Rotative Spray Head



UBC ROTATIVE SPRAY HEAD

Applications

UBC series heads are completely made out of stainless steel, with the rotating sphere rolling on two ball bearing rows, to make operation possible in any position. Inner and outer surfaces are carefully machined, cleaned and polished to avoid contamination for bacterial growth. UBC 2629 and 2900 heads are available with three different connections, that is a female thread, a clip-on or a weld-on connection. The two latter types are shown with more detail at the bottom of this page.



Their robust and simple design, high quality construction, long trouble-free service and remarkable efficiency have made them very popular for general purpose applications, in thousands of applications all over the world. Completely made of stainless steel AISI 316L rotating sphere rolling on two ball bearing rows Inner and outer surfaces machined, cleaned and polished.

Available with three different connections:

- BSP female thread
- a clip-on
- ISO butt weld

Material B31 Stainless Steel AISI 316L

Dimensions table

CODE	Flowrate lt/min				Available pattern			Pipe Connections (RF)					Dim. mm		
	2 bar	3 bar	5 bar	7 bar	360°	180°Δ	180°∇	1/2"	3/4"	1"	1"1/4"	Clip	Weld	H	D
UBC 2629 B3	51,4	63,0	77,7	91,2			Z	B						114	45
UBC 2630 B3	51,4	63,0	77,7	91,2			Z	B				C	S		
UBC 2899 B3	73,5	90	116	131	S			B							
UBC 2900 B3	73,5	90	116	131	S	T		B				C	S		
UBC 3120 B3	98	120	155	183	S	T			B					130	60
UBC 3135 B3	110	135	165	195	S			B							
UBC 3300 B3	245	300	388	457	S					B					

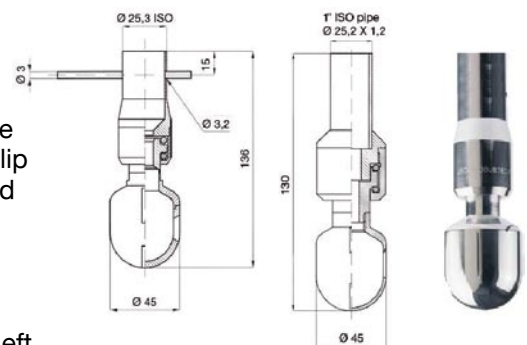
Complete Code

The precise identification of each different head, including size, spray pattern and pipe connection is only obtained combining the different option coding into a complete code. Please notice examples below:

UBC 2900 B3 SC	Spray pattern 360°	Clip connection
UBC 2900 B3 BC	Spray pattern 360°	3/4" BSP female thread
UBC 2629 B3 ZB	Spray pattern 360° down	1/2" BSP female connection

Clip-on connection

This model can be assembled onto a fixed pipe entering the tank shell by means of a simple spring retaining pin, and offers a simple way for a quick removal of the head from its location, in those applications where easily performed cleaning is required. The clip end of the head will accept inside a standard 1" ISO pipe, with 25 mm outer diameter.



Weld-on connection

The opposite case, where the head can be left in place between two washing cycles, or where the complete assembly of pipe and washing head can be removed from the top can require the installation of a weld-on pipe. The connection end of the pipe will match a standard ISO pipe with 25 mm outer diameter and 1.2 mm thickness.

SLCD - SPRAY BALL

Applications

Permanently installed spray-balls are used for low pressure internal cold or hot cleaning of tank (horizontal and vertical), vessels and containers of all kinds. Operating in continuous spraying mode for fluids that can be washed off easily or in pulse-pause mode for fluids which require a reaction time to be washed off. The absence of moving or rotational parts contributes to the reliability and durability of cleaning processes with spray balls.



Executions

Standard or Flat Shoulder with follow patterns available:

- A 360° spray angle
- B 180° spray angle top
- C 180° spray angle bottom

Connections

BSP threaded or clip.

Material

Completely in AISI 316L stainless steel.

Operating conditions

Working pressure minimum 1 barg up to 7 barg

Working temperature from 0°C up to 250°C

Surface finish

Mill finish with Ra<1,0 micron.

Dimensions table

CODE	Type	Ball diameter	Connection	Hole dia.	Pressure	Flowrate	Action Radius
SLCD 1	A - AX	65 mm	26x26 clip	2,5 mm	1 bar	15,7 m ³ /h	1,8 m
	B - BX					10,2 m ³ /h	3,0 m
	C - CX					10,5 m ³ /h	3,2 m
SLCD 2	A - AX	65 mm	40,5x38,5 clip	2,5 mm	1 bar	18,8 m ³ /h	2,6 m
	B - BX					10,2 m ³ /h	2,0 m
	C - CX					11,2 m ³ /h	3,7 m
SLCD 3	A	65 mm	3/4" BSP	2,5 mm	1 bar	13,2 m ³ /h	1,3 m
	B					8,7 m ³ /h	2,2 m
	C					9,2 m ³ /h	1,5 m
SLCD 4	A	50 mm	40,5x38,5 clip	1,6 mm	1 bar	6,6 m ³ /h	1,9 m
	B					4,0 m ³ /h	2,8 m
	C					3,7 m ³ /h	2,3 m
SLCD 6	A - AX	65 mm	32x30 clip	2,5 mm	1 bar	17,9 m ³ /h	2,3 m
	B - BX					9,3 m ³ /h	2,5 m
	C - CX					10,5 m ³ /h	3,2 m
SLCD 7	A	65 mm	38x36 clip	2,5 mm	1 bar	18,3 m ³ /h	3,0 m
	B					8,1 m ³ /h	2,4 m
	C					11,6 m ³ /h	4,9 m
SLCD 8	A - AX	50 mm	22x20 clip	1,6 mm	1 bar	5,5 m ³ /h	2,5 m
	B - BX					3,4 m ³ /h	3,8 m
	C - CX					3,2 m ³ /h	3,4 m
SLCD 9	A	50 mm	1/2" BSP	1,6 mm	1 bar	5,4 m ³ /h	2,4 m
	B					3,0 m ³ /h	3,0 m
	C					3,1 m ³ /h	3,2 m
SLCD 10	A - AX	50 mm	28x26 clip	1,6 mm	1 bar	7,2 m ³ /h	4,3 m
	B - BX					4,7 m ³ /h	7,2 m
	C - CX					4,7 m ³ /h	7,2 m
SLCD 11	A	90 mm	1"1/4 BSP	2,5 mm	1 bar	29,8 m ³ /h	3,1 m
	B					12,7 m ³ /h	2,2 m
	C					15,9 m ³ /h	3,4 m
SLCD 12	A - AX	90 mm	38x36 clip	2,5 mm	1 bar	24,2 m ³ /h	2,0 m
	B - BX					13,4 m ³ /h	2,4 m
	C - CX					15,9 m ³ /h	3,4 m
SLCD 14	A	120 mm	60,3x52,8 clip	2 mm	1 bar	19,0 m ³ /h	2,0 m
	B					10,2 m ³ /h	2,3 m
	C					8,5 m ³ /h	1,7 m
SLCD 15	A - AX	40 mm	22x20 clip	1,6 mm	1 bar	3,7 m ³ /h	3,8 m
	B - BX					2,3 m ³ /h	5,5 m
	C - CX					2,3 m ³ /h	5,9 m
SLCD 16	A - AX	40 mm	22x20 clip	1,3 mm	1 bar	5,1 m ³ /h	4,7 m
	B - BX					3,0 m ³ /h	6,4 m
	C - CX					3,1 m ³ /h	7,0 m
SLCD 17	A - AX	28 mm	1/4" BSP	1,3 mm	1 bar	1,8 m ³ /h	1,0 m
	B - BX					1,2 m ³ /h	1,6 m
	C - CX					1,4 m ³ /h	2,2 m

