



Sanitary
flow
equipment

Quality
System
Certified
ISO 9001



SIGHT GLASS TK Dimensions.doc
Rev.00 Page 1 of 1

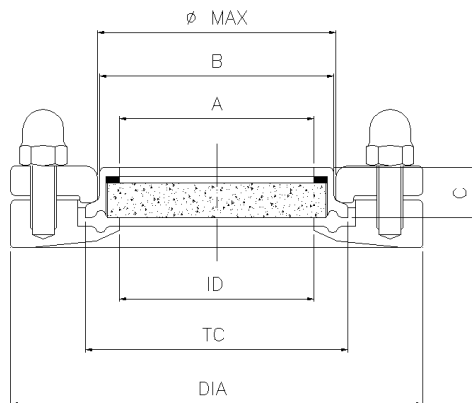
TK- SIGHT GLASS Dimensions

Put a window in your processing systems with the Sanitary TK- SIGHT GLASS

Designed for fit the flush mounted TK-Connections System to offer clear process visibility

Advantages :

- Fast and simple installation and maintenance
- Extremely compact construction
- Eliminate dead leg
- No product entrapment
- No air pokets during sterilisation
- Special size available per drawing request



TK-Connection fitted with TK-Sight glass

dimensions table

CODE	DIA	TC	ID	ϕ max	A	B	C	Borosilicate glass OD	Thk	P max	T max
TK- GLASS 1"	85,0	50,4	22,1	20,0	22,5	44,0	11,0	40,5	8	7 bar	150°C
TK- GLASS 1"1/2	85,0	50,4	34,8	45,0	35,0	44,0	13,0	40,5	8	7 bar	150°C
TK- GLASS 2"	100,0	64,0	47,5	20,0	47,5	56,0	13,5	52,5	8	7 bar	150°C
TK- GLASS 2"1/2	112,0	77,5	60,2	45,0	60,0	70,0	14,0	66,0	8	7 bar	150°C
TK- GLASS 3"	130,0	91,0	72,9	45,0	72,5	84,0	14,0	78,5	8	7 bar	150°C
TK- GLASS 4"	170,0	119,0	97,4	45,0	84,0	110,0	16,0	104,5	10	7 bar	150°C

Operating conditions :

Design Pressure -1bar to 7 barg (-14,5 psi to 101,5 psi)
Design temperature -80°C to 150°C (-112°F to 302°F)

Material :

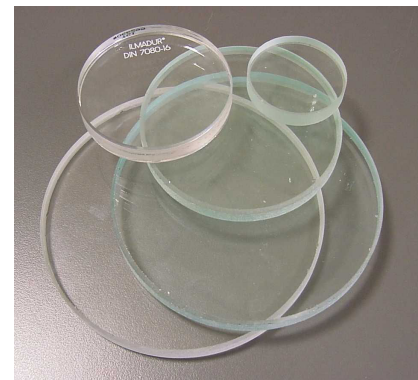
Locking ring ASTM A 479 / ASTM A 182 – 316L
Borosilicate tempered glass to DIN 7080
Gaskets PTFE

Surface finish :

TK-Connection product contact surface are finish
with Ra<0,5 micron or better

Marking:

Each TK-Connection is marked with Heat No. for full lot traceability



In the interests of development and improvement of the product, we reserve the right to change the specifications without prior notice.