



ITT

Engineered
Valves

Pure-Flo[®] Zero Static Block Body Tee (ZSBBT & ZSBT)

Zero Static use points are some of the most critical valves utilized in the Biopharmaceutical industry. Use point valves allow process fluids to be transferred, sampled, drained or diverted with minimal impact on critical systems such as WFI and purified water.

Typical Applications

- Point-of-use valves
- Piping Branch valves

Specifications

Standard Sizes:

- 0.25" - 2" (DN 8 - 50) Valve size
- 0.5" - 4" (DN 15 - 100) Run size
- Other sizes available upon request

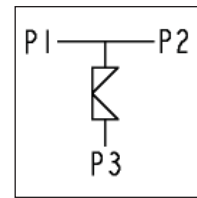
Materials:

- 316L ASTM - A479
- DN 177440, 1.4435
- AL6XN
- Hastelloy C-22 & C-276
- Other materials available upon request

Standard End Connections:

- 14, 16, 18, 20 Gauge OD tubing
- DIN/ISO
- Tri-Clover Tri-Clamp[®]
- Others available upon request

Compatible with standard Pure-Flo topworks: See PFTOP for details on available manual bonnets or actuator.



Flow Path



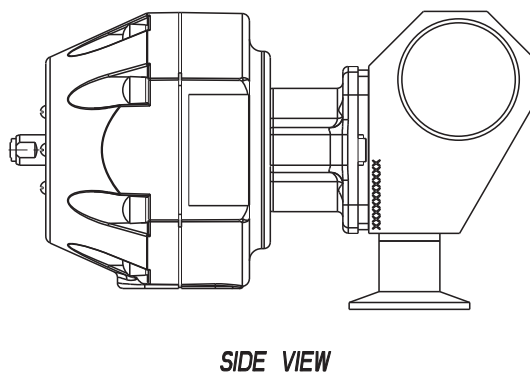
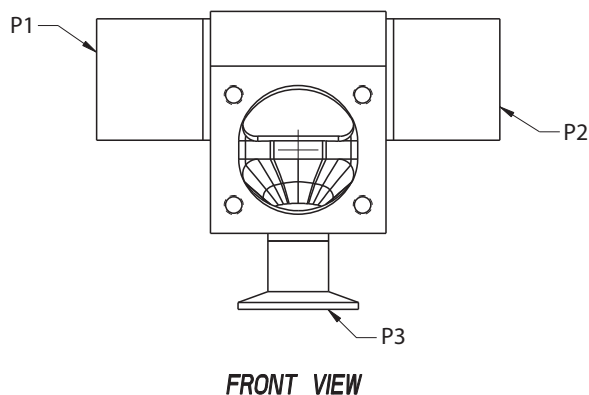
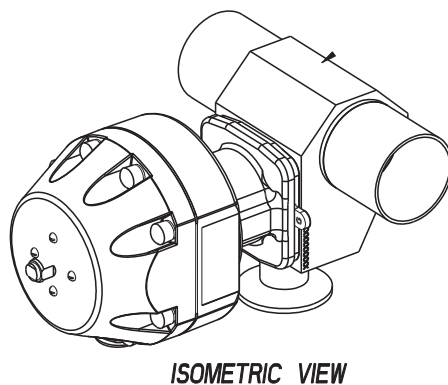
How to Order a Zero Static Block Body Tee

ZSBBT with a 1" wrought stainless steel main valve with Tri-Clamp end connection and a 2" tube with butt weld ends, 25 Ra interior finish, standard exterior finish (Scotch Brite).

Figure Number: ZSBBT-1-W-419-2-X28-6-1-0

Configuration Example		ZSBBT	1	W	419	2	X28		6-1-0
Valve Body	Block Type	ZSBBT							
	Valve Size		1						
	Body Type			W					
	Body End Connection				419				
	Zerostatic Tube Size					2			
	Zerostatic Tube End Connection						X28		
	Zerostatic Tube Second End Connection								
	Polish Selections								6-1-0

To add topworks, see BBTOP. For additional figure numbers, see PFORD.



Please contact ITT Engineered Valves for the latest drawing and dimensional information. The above drawing should only be used as a general reference.

Engineered Valves, LLC 33 Centerville Road Lancaster, PA 17603 (717) 509-2200	ITT Pure-Flo (UK) Ltd Richards Street Kirkham, Lancashire PR4 2HU, England
--	---