



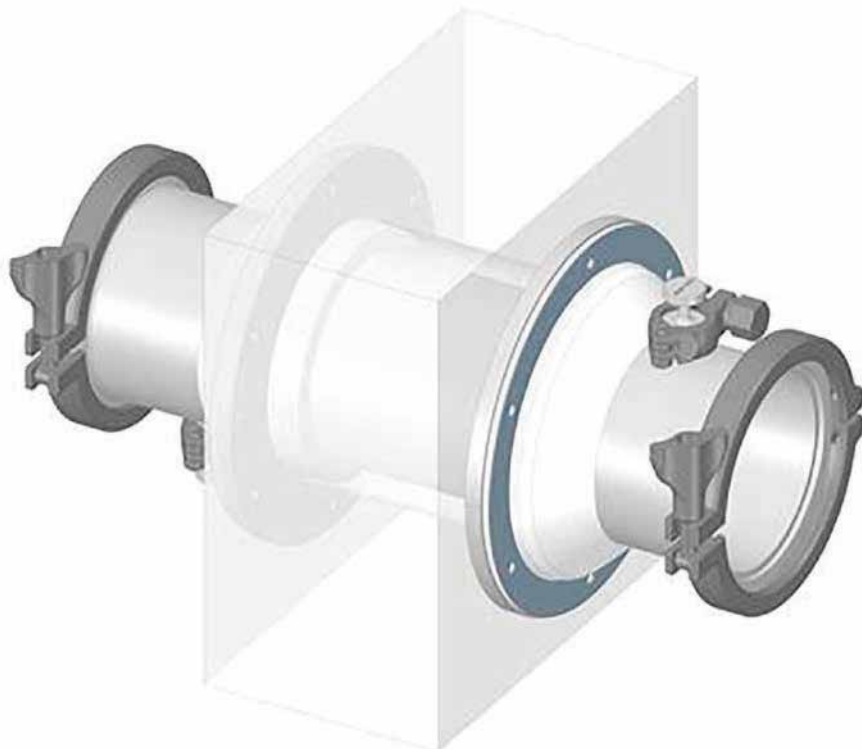
# MOUSEHOLE

The ROMYNOX Mousehole is a simple yet effective way to transfer liquids and/or product between two cleanrooms. You can move large quantities of liquids in a cleanroom without moving a product vessel. This reduces the passage of personnel to processing areas, labor and minimizes the risk of crosscontamination, bin breakage or spillage.

The Mousehole is system consisting of a stainless steel pass-through wall portal with a triclamp connection on both sides. There are two optional extra's for the Mousehole. We can add a purge port to the design. It's also possible to add a position indicator on both sides of the Mousehole. A version of the transfer port with both options is also possible.

## **The Mousehole can be expanded modularly with:**

- The Iris Valve provides a dust-tight seal, regardless of the thickness of your hose, and minimizes airflow. It is mainly used in the upstream process.
- The Romy-Pass creates an airtight barrier and is cleanroom assembled and gamma irradiated according to your request. This varies from size, multiple types of tubing, connectors, clamps, seals, flanges and modular packaging. For more information, visit our website.





## STANDARD DELIVERED WITH:

- 1 x Portal  
**Material:** Stainless Steel 316L
- 2 x Gaskets  
**Material:** Silicone
- 2 x Solid End Caps  
**Material:** Stainless steel 316L
- 2 x Tri-Clamps LAH  
**Material:** 304SS
- 2 x Pipettites  
**Material:** Silicone with Stainless Steel Ring
- 2 x Support Ring  
**Material:** Nylon
- Installation guide



Size	Ø A	B	Wall (C) min.	Wall (C) max.	Availability
2"	50.8	280	50	125	Available
4"	101.6	280	50	125	Available
4"	101.6	380	126	250	Available
6"	152.4	280	50	125	Available
6"	152.4	380	126	250	Available
2" to 8"			50.8	2000	On request

### FINISHES

SF1

### CERTIFICATES

USP Class VI 121° Celsius, <87>, <88>, 3.1 material, FDA (on Gaskets and Pipettites), TSE/BSE

