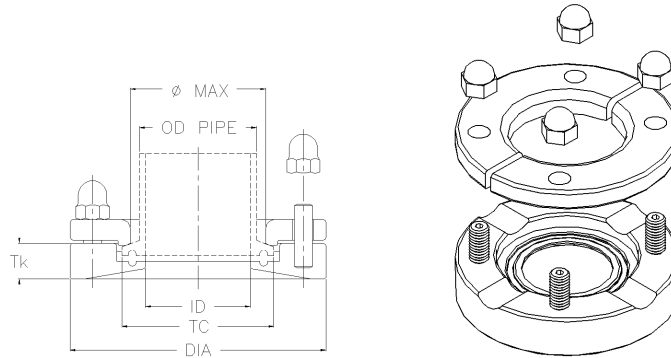




Sanitary
flow
equipment



TKC-Connect pipe standard ASTM A270 Clamp Standard ASME-BPE, BS 4825



dimensions table

CODE	DN	TC	ID	OD pipe	φ max	DIA	Tk std	Tk 1	Tk 2	Tk 3	Bolts
TKC-AG...-12A	1/2"	25,0	9,4	12,7	20,0	55,0	15,0	25,0	38,0	51,0	4 x M6
TKC-AH...-12A	3/4"	25,0	15,75	19,05	20,0	55,0	15,0	25,0	38,0	51,0	4 x M6
TKC-AJ...-12A	1"	50,4	22,1	25,4	45,0	85,0	17,0	25,0	38,0	51,0	4 x M8
TKC-AM...-12A	1 1/2"	50,4	34,8	38,1	45,0	85,0	17,0	25,0	38,0	51,0	4 x M8
TKC-AN...-12A	2"	64,0	47,5	50,8	57,0	100,0	17,0	25,0	38,0	51,0	4 x M8
TKC-AO...-12A	2 1/2"	77,5	60,2	63,5	71,0	112,0	17,0	25,0	38,0	51,0	4 x M8
TKC-AP...-12A	3"	91,0	72,9	76,2	85,0	130,0	20,0	25,0	38,0	51,0	6 x M8
TKC-AR...-12A	4"	119,0	97,6	101,6	113,0	170,0	20,0	25,0	38,0	51,0	8 x M8
TKC-AV...-12A	6"	166,7	146,8	152,4	161,0	220,0	30,0	0,0	0,0	0,0	8 x M10
TKC-AW...-12A	8"	217,5	197,66	203,2	210,0	290,0	35,0	0,0	0,0	0,0	8 x M10
TKC-AX...-12A	10"	268,5	248,66	254,0	260,0	350,0	45,0	0,0	0,0	0,0	12 x M10

Available thickness : TK Standard normally at stock, TK1 = 25,0mm TK2 = 38,0mm TK3 = 51,0mm (different thickness available on specific request)
In case of order please specify the thickness you need

Specifications

- Standards :** designed according to PED 97/23/CE directive for Europe, ASME VIII Div.2 for US and F.E.M. (Finite Element Method) calculated, approved and certified by notified body (except the red sizes market)
- Design Pressure :** -1 bar to 7 bar g (-14,5 psi to 101,5 psi)
Note : The applied gasket (not included) may have different design temperature and/or pressure limits than the TK. The weakest component in the assembled product determines the maximum design temperature and pressure limits.
- Design Temperature :** -80°C to 200°C (-112°F to 392°F)
- Material :** welding flange ASTM A 479 / ASTM A 182 316L-1.4404 on request 1.4435
locking ring ASTM A 479 / ASTM A 182 - 316L-1.4404
bolts ASTM A 193 B8 - 304-1.4301
nut ASTM A 194 8 - 304-1.4301
- Surface Finish :** Product contact surface are finished to Ra<0,6 µm or better
- Marking :** Each TK-Connection is market with Heat No. for full lot traceability

Get the information you need and more at : info@aerrexinox.it

In the interests of development and improvement of the product, we reserve the right to change the specifications without prior notice.

Aerre Inox s.r.l.

26010 FIESCO Via Gerola n.4 -CREMONA- Italy
Tel. +39.0374.370828 Fax +39.0374.370833
e-mail : info@aerrexinox.it http : www.aerrexinox.it