



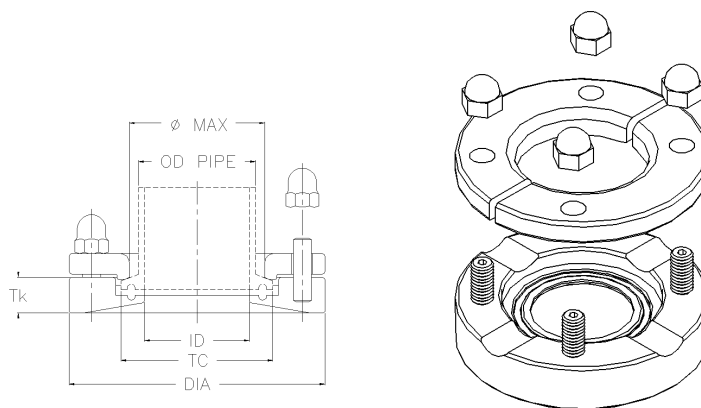
Sanitary  
flow  
equipment

Quality System  
Certified ISO 9001



TKC-C DIN dimensions Rev5.doc  
Page 1 of 1

## TK- Connect Clamp Standard DIN 32676 Reihe A



dimensions table

CODE	DN	TC	ID	OD pipe	φ max	DIA	Tk std	Tk 1	Tk 2	Tk 3	Bolts
TKC-CE...-12A	10	34,0	10,0	12,0-14,0	23,5	70,0	15,0	25,0	38,0	51,0	4 x M6
TKC-CG...-12A	15	34,0	16,0	18,0-20,0	23,5	70,0	15,0	25,0	38,0	51,0	4 x M6
TKC-CH...-12A	20	34,0	20,0	22,0-24,0	45,0	70,0	15,0	25,0	38,0	51,0	4 x M8
TKC-CJ...-12A	25	50,4	26,0	28,0-30,0	45,0	85,0	17,0	25,0	38,0	51,0	4 x M8
TKC-CL...-12A	32	50,4	32,0	34,0-36,0	45,0	85,0	17,0	25,0	38,0	51,0	4 x M8
TKC-CM...-12A	40	50,4	38,0	40,0-42,0	45,0	85,0	17,0	25,0	38,0	51,0	4 x M8
TKC-CN...-12A	50	64,0	50,0	52,0-54,0	71,0	100,0	17,0	25,0	38,0	51,0	4 x M8
TKC-CO...-12A	65	91,0	66,0	70,0	85,0	130,0	17,0	25,0	38,0	51,0	4 x M8
TKC-CP...-12A	80	106,0	81,0	85,0	93,0	146,0	20,0	25,0	38,0	51,0	6 x M8
TKC-CR...-12A	100	119,0	100,0	104,0	113,0	170,0	20,0	25,0	38,0	51,0	8 x M8

Available thickness : TK Standard normally at stock, TK1 = 25,0mm TK2 = 38,0mm TK3 = 51,0mm ( different thickness available on specific request )  
In case of order please specify the thickness you need

## Specifications

- Standards :** designed according to PED 97/23/CE directive for Europe, ASME VIII Div.2 for US and F.E.M. (Finite Element Method) calculated, approved and certified by notified body (except the red sizes market)
- Design Pressure :** -1 bar to 7 bar g (-14,5 psi to 101,5 psi)  
*Note : The applied gasket ( not included ) may have different design temperature and/or pressure limits than the TK. The weakest component in the assembled product determines the maximum design temperature and pressure limits.*
- Design Temperature :** -80°C to 200°C (-112°F to 392°F)
- Material :**
- |                |                         |                               |
|----------------|-------------------------|-------------------------------|
| welding flange | ASTM A 479 / ASTM A 182 | 316L-1.4404 on request 1.4435 |
| locking ring   | ASTM A 479 / ASTM A 182 | 316L-1.4404                   |
| bolts          | ASTM A 193 B8 –         | 304-1.4301                    |
| nut            | ASTM A 194 8 –          | 304-1.4301                    |
- Surface Finish :** Product contact surface are finished to Ra<0,6 μm or better
- Marking :** Each TK-Connection is marked with Heat No.for full lot traceability

**check for the last updates of this document on our website [www.aerreinox.it](http://www.aerreinox.it)**

In the interests of development and improvement of the product, we reserve the right to change the specifications without prior notice.

**Aerre Inox s.r.l.**

26010 FIESCO Via Gerola n.4 -CREMONA- Italy  
Tel. +39.0374.370828 Fax +39.0374.370833  
e-mail : [info@erreinox.it](mailto:info@erreinox.it) http : [www.aerreinox.it](http://www.aerreinox.it)