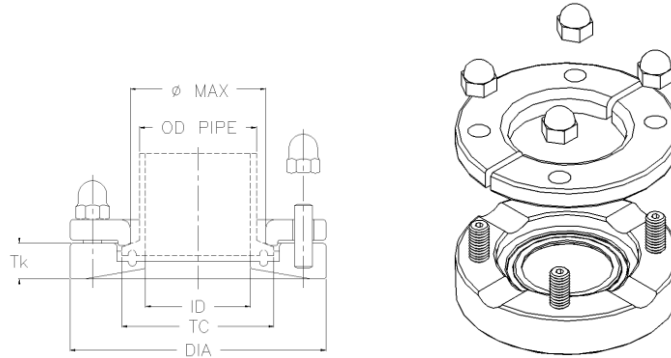




Sanitary
flow
equipment



TK- Connect tube standard ISO 1127 serie 1 Clamp Standard ISO 2852



dimensions table

CODE	DN	TC	ID	OD pipe	φ max	DIA	Tk std	Tk 1	Tk 2	Tk 3	Bolts
TKC-HC...-12A	08	25,0	10,3	13,5	20,0	55,0	15,0	25,0	38,0	51,0	4 x M6
TKC-HE...-12A	10	25,0	14,0	17,2	23,5	55,0	15,0	25,0	38,0	51,0	4 x M6
TKC-HG...-12A	15	50,4	18,1	21,3	23,5	85,0	17,0	25,0	38,0	51,0	4 x M8
TKC-HH...-12A	20	50,4	23,7	26,9	45,0	85,0	17,0	25,0	38,0	51,0	4 x M8
TKC-HJ...-12A	25	50,4	29,7	33,7	45,0	85,0	17,0	25,0	38,0	51,0	4 x M8
TKC-HL...-12A	32	64,0	38,4	42,4	57,0	100,0	17,0	25,0	38,0	51,0	4 x M8
TKC-HM...-12A	40	64,0	44,3	48,3	57,0	100,0	17,0	25,0	38,0	51,0	4 x M8
TKC-HN...-12A	50	77,5	56,3	60,3	71,0	112,0	17,0	25,0	38,0	51,0	4 x M8
TKC-HO...-12A	65	91,0	72,1	76,1	85,0	130,0	17,0	25,0	38,0	51,0	4 x M8
TKC-HP...-12A	80	106,0	84,3	88,9	93,0	146,0	20,0	25,0	38,0	51,0	6 x M8
TKC-HR...-12A	100	130,0	109,7	114,3	117,0	170,0	20,0	25,0	38,0	51,0	8 x M8

Available thickness : TKC Standard normally at stock, TK1 = 25,0mm TK2 = 38,0mm TK3 = 51,0mm (different thickness available on specific request)
In case of order please specify the thickness you need

Specifications

- Standards :** designed according to PED 97/23/CE directive for Europe, ASME VIII Div.2 for US and F.E.M. (Finite Element Method) calculated, approved and certified by notified body (except the red sizes market)
- Design Pressure :** -1 bar to 7 bar g (-14,5 psi to 101,5 psi)
Note : The applied gasket (not included) may have different design temperature and/or pressure limits than the TK. The weakest component in the assembled product determines the maximum design temperature and pressure limits.
- Design Temperature :** -80°C to 200°C (-112°F to 392°F)
- Material :**
welding flange ASTM A 479 / ASTM A 182 316L-1.404 or 1.4435
locking ring ASTM A 479 / ASTM A 182 - 316L
bolts ASTM A 193 B8 - 304
nut ASTM A 194 8 - 304
- Surface Finish :** Product contact surface are finished to Ra<0,6 µm or better
- Marking :** Each TKC-Connection is market with Heat No.for full lot traceability

Get the information you need and more at : info@aerinox.it

In the interests of development and improvement of the product, we reserve the right to change the specifications without prior notice.

Aerre Inox s.r.l.

26010 FIESCO Via Gerola n.4 -CREMONA- Italy
Tel. +39.0374.370828 Fax +39.0374.370833
e-mail : info@aerinox.it http : www.aerinox.it