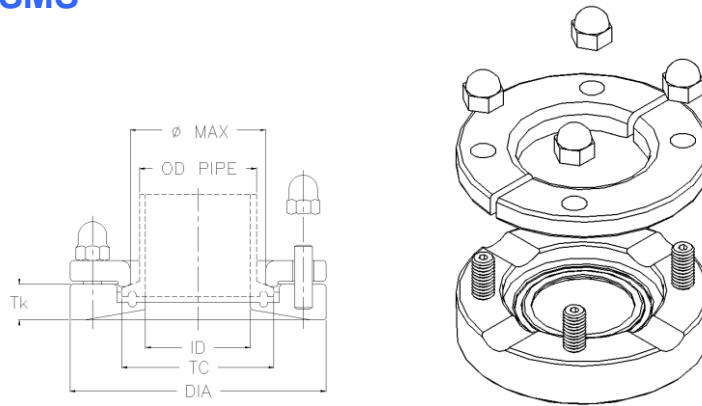




Sanitary
flow
equipment



TK- Connect tube standard SMS 3008 Clamp Standard SMS



dimensions table

CODE	DN	TC	ID	OD pipe	φ max	DIA	Tk std	Tk 1	Tk 2	Tk 3	Bolts
TKC-JE...-12A	12	25,0	10,0	12,0	20,0	55,0	15,0	25,0	38,0	51,0	4 x M6
TKC-JG...-12A	18	25,0	15,0	18,0	20,0	55,0	15,0	25,0	38,0	51,0	4 x M8
TKC-JJ...-12A	25	50,4	22,6	25,0	45,0	85,0	17,0	25,0	38,0	51,0	4 x M8
TKC-JM...-12A	38	50,4	35,6	38,0	45,0	85,0	17,0	25,0	38,0	51,0	4 x M8
TKC-JN...-12A	51	64,0	48,6	51,0	57,0	100,0	17,0	25,0	38,0	51,0	4 x M8
TKC-JO...-12A	64	77,5	60,3	63,5	71,0	112,0	17,0	25,0	38,0	51,0	4 x M8
TKC-JP...-12A	76	91,0	72,9	76,1	85,0	130,0	20,0	25,0	38,0	51,0	6 x M8
TKC-JR...-12A	102	119,0	97,6	101,6	113,0	170,0	20,0	25,0	38,0	51,0	8 x M8

Available thickness : TK Standard normally at stock, TK1 = 25,0mm TK2 = 38,0mm TK3 = 51,0mm (different thickness available on specific request)
In case of order please specify the thickness you need

Specifications

Standards :	designed according to PED 97/23/CE directive for Europe, ASME VIII Div.2 for US and F.E.M. (Finite Element Method) calculated, approved and certified by notified body (except the red sizes market)
Design Pressure :	-1 bar to 7 bar g (-14,5 psi to 101,5 psi) <i>Note : The applied gasket (not included) may have different design temperature and/or pressure limits than the TK. The weakest component in the assembled product determines the maximum design temperature and pressure limits.</i>
Design Temperature :	-80°C to 200°C (-112°F to 392°F)
Material :	welding flange ASTM A 479 / ASTM A 182 316L-1.4404 on request 1.4435 locking ring ASTM A 479 / ASTM A 182 - 316L-1.4404 bolts ASTM A 193 B8 – 304-1.4301 nut ASTM A 194 8 – 304-1.4301
Surface Finish :	Product contact surface are finished to Ra<0,6 µm or better
Marking :	Each TK-Connection is market with Heat No.for full lot traceability

Get the information you need and more at : info@aerinox.it

In the interests of development and improvement of the product, we reserve the right to change the specifications without prior notice.

Aer Inox s.r.l.

26010 FIESCO Via Gerola n.4 -CREMONA- Italy
Tel. +39.0374.370828 Fax +39.0374.370833
e-mail : info@aerinox.it http : www.aerinox.it