



Sanitary
flow
equipment



LS3512LED Luminaire - Led (no Ex)

Applications:

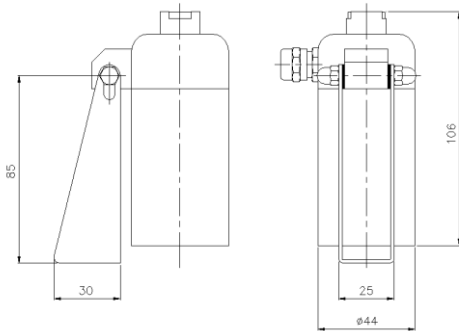
Powerful stainless steel LS3512LED led luminaire can be mounted directly to any standard flanged sight glass or TK-Sight glass welded on vessel or pipeline and provides up to 35 watts of intense glare free illumination through a safety glass lens. Extremely compact are ideally suited for use with fittings for Aseptic conditions such as small sight glass

LS3512LED is available with push button momentary on/off switch as well as for continuous operation.

LED lamp with 3W power providing a pleasant light tone. It replaces the bi-in halogen lamps, offering a focused and high quality light.

Advantages:

- Powerful illumination
- Suitable for food & pharma processing
- Flexible, fast and simple installation with no risk of breakage
- Minimal crevice for sanitary applications
- Dust and water jet proof IP65
- Customized for your needs



Luminaire stainless steel LS3512LED model series

Outer dia. 44 mm

Light exit dia. 35 mm

Also available with adjustable hinged
bracket or security clamp for use
directly with TKC-Connections

Light

Power:	35 W
Power Voltage:	12V DC
Bright Flux:	250 lm
Light Beam:	30°
Chromatic Yield Index:	80
Duration:	30,000 Hours
Type of LED:	Epistar

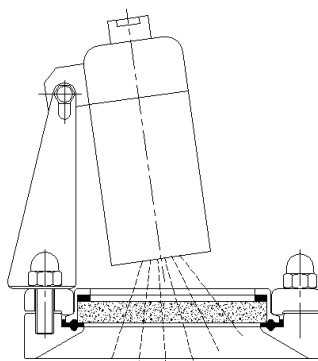
Optional: TK & TK-GLASS

Material

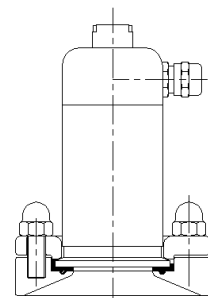
housing	ASTM A 479 / ASTM A 182 – 304
hinged bracket	ASTM A 479 / ASTM A 182 – 304
bolts	ASTM A 193 B8 – 304
glass	tempered glass

Surface finish:

external surface is satin finish Ra<0,8 micron or better



with adjustable
hinged bracket



directly mounted
on TKC-Connection

Get the information you need and more at : info@aerreinox.it

In the interests of development and improvement of the product, we reserve the right to change the specifications without prior notice.

Aerre Inox s.r.l.

26010 FIESCO Via Gerola n.4 -CREMONA - Italy
Tel. +39. 0374. 370828 Fax +39. 0374. 370833
e-mail : info@aerreinox.it http : www.aerreinox.it