

Sanitary Sampling Valves



Sanitary
flow
equipment

Rps Available Body

**Standard
CLAMP 1/2" BS**

Esecuzione H a faccia piana
H execution flat face
RPS-05AGPAH-XX-31A

Esecuzione T con tubo di sample
T execution with sampling pipe
RPS-05AHZCT-XX-31A

**Optional
CLAMP 1" BS**

RPS-05AJZCH-XX-31A

RPS-05AJZCT-XX-31A

**Optional
fil. gas m.
3/8" - 1/2"**

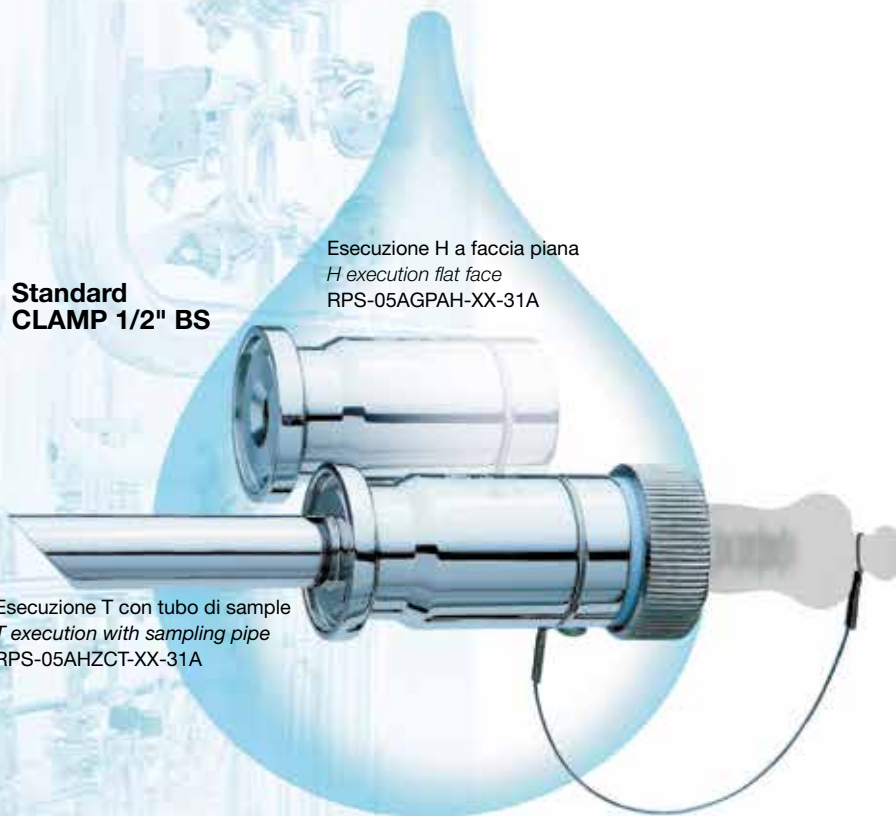
RPS-05LGZCH-XX-31A

RPS-05LGZCT-XX-31A

RPQ-05AGPBH-XX-31A

RPV-05AGZCH-XX-31A

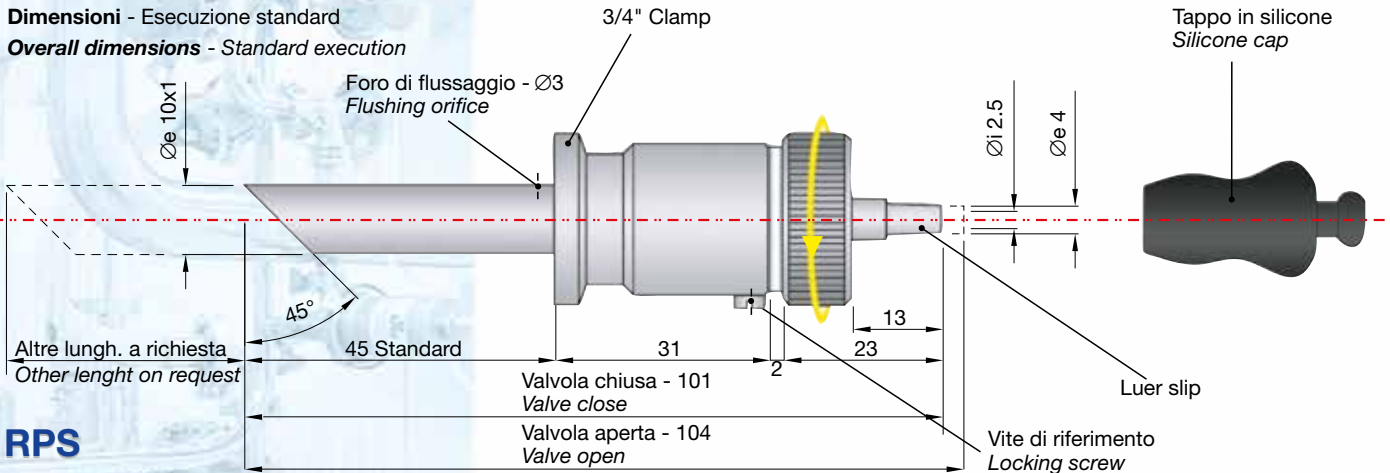
RPV-05AGZGH-XX-31A



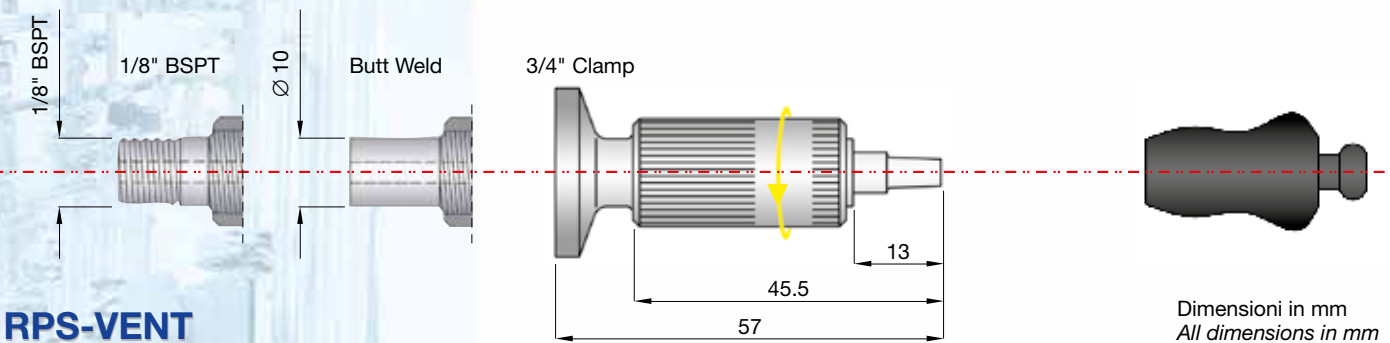
Presca campione sanitaria

Dimensioni - Esecuzione standard

Overall dimensions - Standard execution



RPS



RPS-VENT

Dimensioni in mm
All dimensions in mm

INSTALLAZIONE

In funzione del tipo di connessione, la valvola potrà essere installata con corpo a saldare, clampato o filettato.

Essendo il senso del flusso unidirezionale, bisogna rispettare l'orientamento della vite di riferimento per un corretto flussaggio del corpo valvola.

Per qualunque tipo di connessione, installare la valvola con l'uscita luer sull'asse orizzontale, parallelo al pavimento; nel caso di flusso con direzione dal basso verso l'alto, la vite di riferimento dovrà essere posizionata in basso, nel caso invece di flusso con direzione dall'alto verso il basso, la vite di riferimento dovrà essere posizionata in alto.

INSTALLATION

Depending on the type of connection, the valve may be installed by welding, screwing or clamping the body.

As the direction of flow is one-way, check the direction of the reference screws to ensure the body valve flow is correct.

For all types of connection, ensure the luer outlet is horizontal to the valve and parallel with the floor.

If flow is vertically upwards, the reference screws must be placed at the bottom, while if the flow is vertically downwards, the reference screws must be placed at the top.

TIPI DI ATTACCHI - SAMPLE CONNECTIONS



LUER SLIP - esecuzione standard
LUER SLIP - standard execution

ATTACCO RAPIDO - optional
RAPID CONNECTION - optional

PORTAGOMMA - optional
RUBBER HOSE - optional

DOCUMENTAZIONE

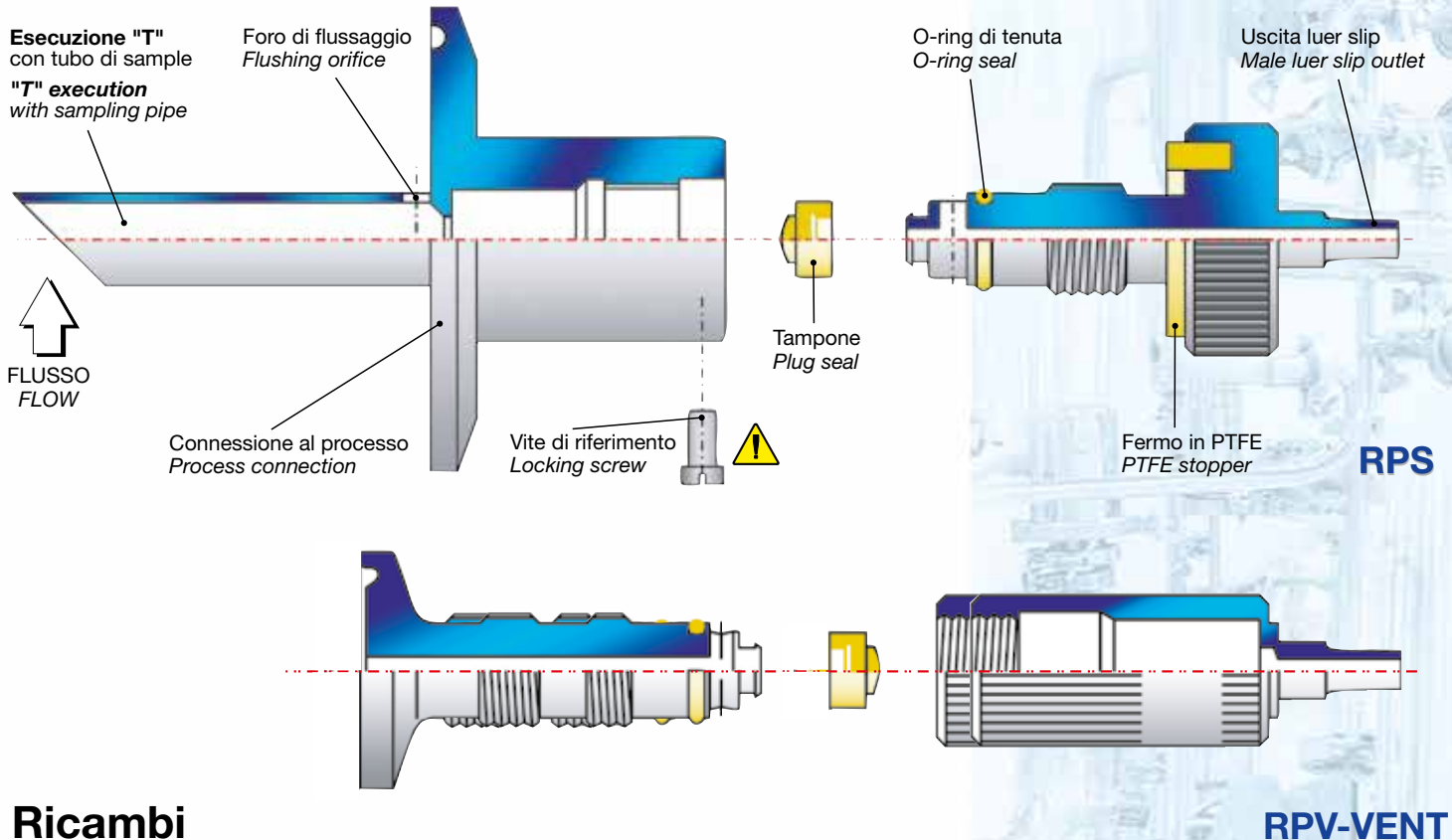
Ai fini della tracciabilità dei pezzi per la validazione degli impianti, sono corredate a richiesta da certificati di analisi chimica dei materiali EN 10 204 3.1 certificati di conformità alle normative FDA, strisciate di rugosità.

DOCUMENTATION

All valves are fully traceable for validation processes.

Each valves is accompanied by material test certificates EN 10 204 3.1 cGMP standards compliance certificates, FDA regulations compliance certificates, and tapes detailing the valve interior surfaces Ra.

Sanitary sampling valve

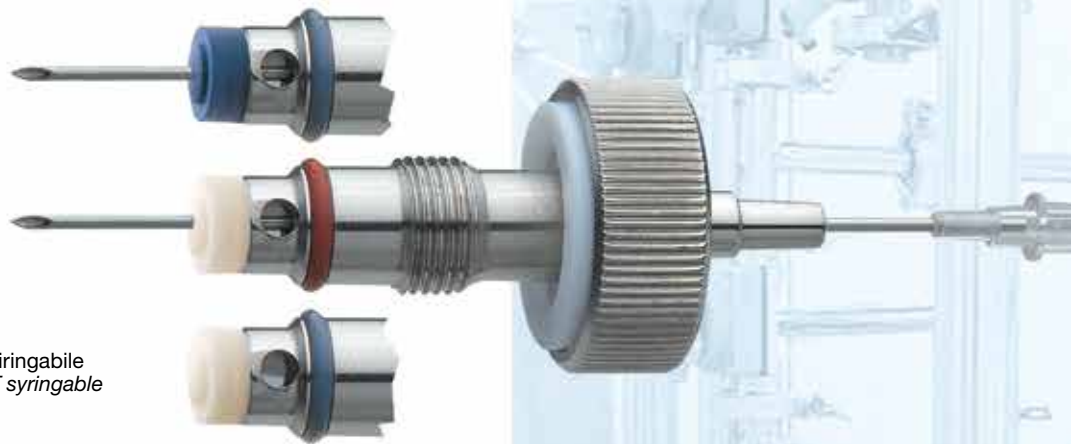


Ricambi Spare parts

cod. KPS-05-VV
 Tampone e o-ring in FKM - siringabile
Plug seal and o-ring in FKM - syringable

cod. KPS-05-XX
 Tampone e o-ring in SILICONE - siringabile
Plug seal and o-ring in SILICONE - syringable

cod. KPS-05-TV
 Tampone in TFM PTFE e o-ring in FKM - NON siringabile
Plug seal in TFM PTFE and o-ring in FKM - NOT syringable



RPS Ordering information

To specify the part completely, start with the product description and select the additional options as shown below:

AG 1/2" clamp	H flat face	surface standard finish
AJ 1" clamp	T deep tube	
QC butt weld		material AISI 316L 1.4404
LC 1/4" BSP		
RPS	LE 3/8" BSP	XX silicone seals
RPQ	LG 1/2" BSP	
RPV		TV Tfm/Fkm seals

RPS 05 AG ZC H XX 31 A

HOLE **ZC** luer slip **XX** silicone seals
PA rubber hose **VV** Fkm seals
ZG quick connection **TV** Tfm/Fkm seals

Sanitary sampling valves

CHARACTERISTICS

The **RPS** fully autoclavable sampling valves are designed for aseptic sampling of liquids and pharmaceutical products.

Made entirely in AISI 316L, the standard version is in the form of a rod with a 1/2" clamp and no welding.

On request, the connection to the process may be modified as indicated.

Easily installed onto distribution lines or onto tanks, this valve can be kept in aseptic conditions between one sample and another by using a silicon cap which closes the "luer slip" outlet. It's special design prevents deposits of bacteria and particles, possibly distorting the results of bacteriological tests carried out while allowing samples to be taken from the middle of the line enabling a representative sample to be taken. Extremely economical and very easy to use, the valve opens by turning the head knurled ratchet in an anticlockwise direction and then clockwise to return it to the closed position.

TECHNICAL DATA

MATERIALS

Valve body: AISI 316L
Shaft: AISI 316L
O-ring: Standard silicone
Optional FKM, EPDM
Plug: Standard silicone
Optional FKM or TFMPTE

MAX WORKING CONDITIONS

Max Pressure: to 10 bar and 150°C

PROCESS CONNECTIONS

Standard: clamp 1/2" BS
Optional: clamp 1" BS
3/8"-1/2" gas male thread
butt-weld

OUTLET CONNECTIONS

Standard: LUER SLIP joint
Optional: Rubber hose Ø 6mm
Rapid connection

RPS SAMPLING

Fig. 3 Campionamento standard.
Standard Sampling



Fig. 2 Campionamento in provetta sottovuoto
Test-tube vacuum-sealed sampling

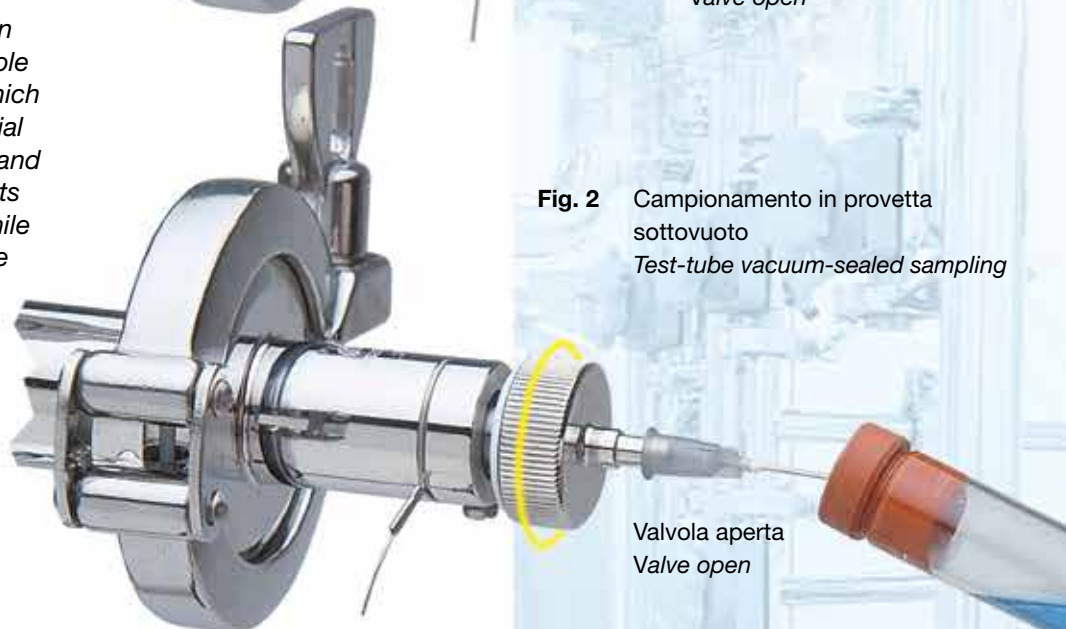
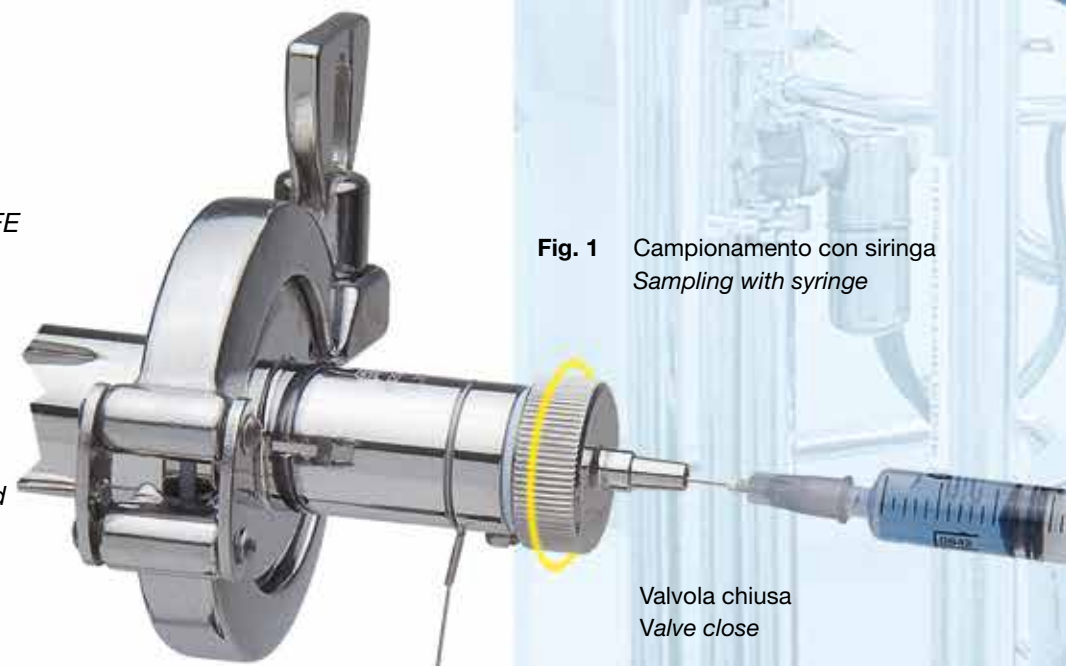


Fig. 1 Campionamento con siringa
Sampling with syringe





ASEPTIC SAMPLING VALVES



SANITARY SAMPLING VALVES



ASEPTIC SAMPLING BOTTLE



ASEPTIC TANK BOTTOM VALVES



SPRING CHECK VALVES



HIGH PURITY BALL VALVES



BUTTERFLY VALVES



DTS HEAT EXCHANGERS



SIGHT GLASS-FLOW INDICATOR



CLAMP FITTINGS



TANK AND IN-LINE CONNECTIONS



FLEXIBLE HOSES & FITTINGS



MAGNETIC MIXER



HIGH PURITY DIAPHRAGM VALVES



WASHING DEVICES



HYGIENIC RUPTURE DISC



Sanitary
flow
equipment

AERRE INOX s.r.l.

Via Gerola, 4

I-26010 Fiesco (Cremona)

Tel. +39 0374 370 828 Fax +39 0374 370 833

www.aerreinox.it

Get the information you need and more at info@aerreinox.it