

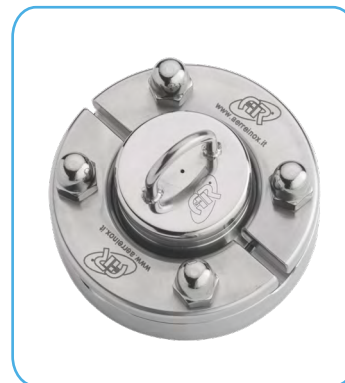
# TKS Syringe Sampling Device



TKS DEVICE



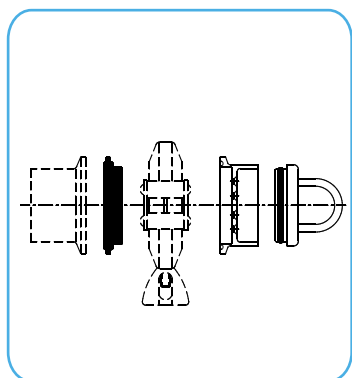
TKS MOUNTED ON  
TKC CONNECTION



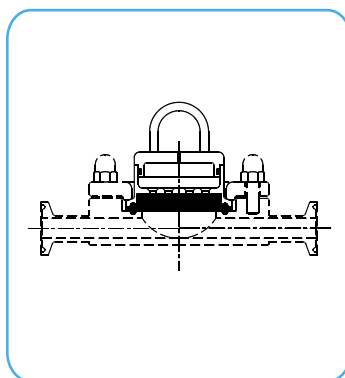
TKS MOUNTED ON  
TKC CONNECTION

The TKS Syringe sampling device has a compact design that allows to take more samples of low viscosity products from a tank or a process line in the pharmaceutical sector with an hypodermic syringe. Once installed, the Silicone or EPDM membrane is flush positioned with the inner wall of the tank, minimizing the "Dead Leg".

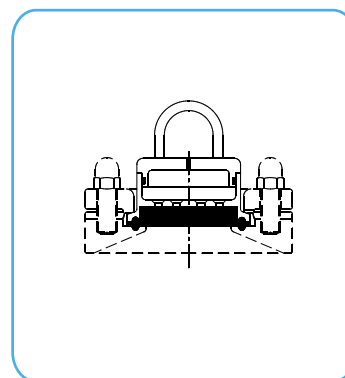
Before to sampling, the port may be sterilized with alcohol and then sampling takes place by simply penetrating the special membrane with an hypodermic needle or a syringe, with minimum risk of contamination.



TKS WITH  
TRI-CLAMP FERRULE  
ASSEMBLY



TKS WITH  
TKL IN-LINE  
ASSEMBLY



TKS WITH  
TKC CONNECTION  
ASSEMBLY

## Technical Information:

**Tri-Clamp Connection:** 1" 1/2 according to ASME BPE

**Holes:** n. 10 Ø2mm

**Drilled Clamp Support Material:** AISI 316L – 1.4404

**Blind End Cap:** AISI 316L – 1.4404

**Syringable gasket:** White Silicone → code **TKS-AM-10X-14A**

Black EPDM → code **TKS-AM-10E-14A**

## Specifications:

**Max pressure sample liquid:** 6 barg

**Max sampling temperature:** 95°C

Not recommended for vacuum application.

Please note that the sealing capacity is reduced with increased frequency of piercing, and the membranes ability to sustain pressure decreases.

It is suggested the membrane replacement every production batch.

**WARNING:** during the pierce, hold safely the syringe and take all the necessary precautions, considering also the pressure, temperature and the media of the sampling.

**DATASHEETS**



Last updates can be found on our website - [www.aerreinox.it](http://www.aerreinox.it)

In the interests of development of the product, we reserve the right to change the specifications without prior notice

