

# TKS Syringe Sampling Device



TKS DEVICE



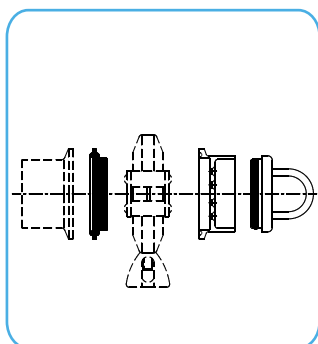
TKS MOUNTED ON  
TKC CONNECTION



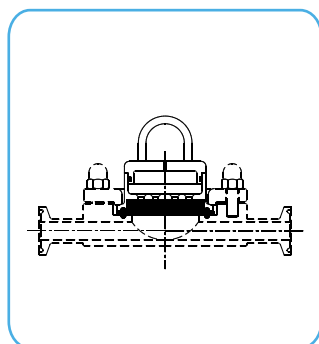
TKS MOUNTED ON  
TKC CONNECTION

The TKS Syringe sampling device has a compact design that allows to take more samples of low viscosity products from a tank or a process line in the pharmaceutical sector with an hypodermic syringe. Once installed, the Silicone or EPDM membrane is flush positioned with the inner wall of the tank, minimizing the "Dead Leg".

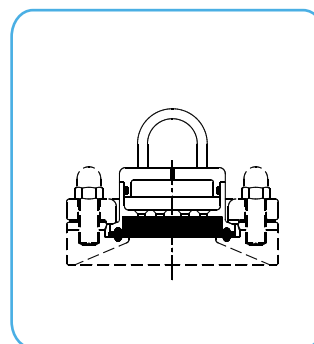
Before to sampling, the port may be sterilized with alcohol and then sampling takes place by simply penetrating the special membrane with an hypodermic needle or a syringe, with minimum risk of contamination.



TKS WITH  
TRI-CLAMP FERRULE  
ASSEMBLY



TKS WITH  
TKL IN-LINE  
ASSEMBLY



TKS WITH  
TKC CONNECTION  
ASSEMBLY

## Technical Information:

**Tri-Clamp Connection:** 1" 1/2 according to ASME BPE

**Holes:** n. 10 Ø2mm

**Drilled Clamp Support Material:** AISI 316L – 1.4404

**Blind End Cap:** AISI 316L – 1.4404

**Syringable gasket:** **White Silicone** → complete device code **TKS-AM-10X-14A**  
 spare gasket code **40TK-X150-040**

**Black EPDM** → complete device code **TKS-AM-10E-14A**  
 spare gasket code **40TK-E150-040**

## Specifications:

**Max pressure sample liquid:** 6 barg

**Max sampling temperature:** 95°C

Not recommended for vacuum application.

Please note that the sealing capacity is reduced with increased frequency of piercing, and the membranes ability to sustain pressure decreases. It is suggested the membrane replacement every production batch.

**WARNING:** during the pierce, hold safely the syringe and take all the necessary precautions, considering also the pressure, temperature and the media of the sampling.

DATASHEETS



Last updates can be found on our website - [www.aerreinox.it](http://www.aerreinox.it)

In the interests of development of the product, we reserve the right to change the specifications without prior notice

# Sampling Procedure

Sanitize the Sanitary Sampling Port immediately after installation and after each sampling operation. The sample port is designed for sampling by using an hypodermic needle as follow :

1. Spray the complete assembly device with an appropriate disinfecting solution and compatible with device's materials.
2. Dismount the blind cap with finger-pull and place it in a disinfecting solution.
3. Spray disinfecting solution on the sampling port and membrane, wait for the necessary time to obtain the desired effect.
4. Look the checklist paper to identify exactly which sampling hole should be used (only one sample should be taken from each sampling hole).
5. Insert the hypodermic needle for sampling. Recommended needle diameter is 0,6 – 1,5mm maximum.
6. Collect the required sample and pull out the hypodermic needle.
7. Spray disinfecting solution on the sampling port and membrane.
8. Mount the blind cap with finger-pull.
9. Mark on the checklist paper which sampling hole has been used.

**WARNING:** during the pierce, hold safely the syringe and take all the necessary precautions, considering also the pressure, temperature and the media of the sampling.

**NOTE :** Pierce of membrane must be done once through the same sampling hole. Replace the used membrane when the sample port checklist is completed.

|               |               |
|---------------|---------------|
|               |               |
| Take off date | Operator sign |

|               |               |
|---------------|---------------|
|               |               |
| Take off date | Operator sign |

|               |               |
|---------------|---------------|
|               |               |
| Take off date | Operator sign |

|               |               |
|---------------|---------------|
|               |               |
| Take off date | Operator sign |

|               |               |
|---------------|---------------|
|               |               |
| Take off date | Operator sign |

|               |               |
|---------------|---------------|
|               |               |
| Take off date | Operator sign |

|               |               |
|---------------|---------------|
|               |               |
| Take off date | Operator sign |

|               |               |
|---------------|---------------|
|               |               |
| Take off date | Operator sign |

|               |               |
|---------------|---------------|
|               |               |
| Take off date | Operator sign |

**DATASHEETS**



Last updates can be found on our website - [www.aerreinox.it](http://www.aerreinox.it)  
 In the interests of development of the product, we reserve the right to change the specifications without prior notice



TKS Syringe Sampling Device Rev7