

## VAW - WASHING FLUSH WASHING VALVE

### Application:

The new VPA-WASHING type flush washing, is a sanitary valve designed to reinforce the hygiene of process tanks equipped with traditional agitation systems or magnetic mixers. The valve, which should be placed opposite the equipment to be cleaned, is therefore generally installed either to the bottom of the tank, (to clean the underside of the agitator blades) or on the side (to clean the scrapers). For different applications, can be placed on the top also.

Extremely clean design of valve, guarantee it's full drainability avoid possible product stagnation and "dead leg" permit a large number of application in the food, chemical, cosmetics, pharmaceutical and biotechnology process where the more restrictive norms must be respected.

### Method of Operation:

Cleaning is achieved by intensive wetting and rinsing of the tank wall; by dosing appropriate detergents, the cleaning effect can be enhanced and the cleaning times reduced. Two operating modes are possible:

- continuous spraying for media which can easily be washed off
- pulse-pause operation for media which require a reaction time. Pulse-pause operation reduces the quantity of CIP medium required to achieve the same cleaning effect in the same length of time.

Consider the consumption of water and cleaning agents is reduced by approximately 50% compared to conventional spray balls.

### Standards:

The VPA-WASHING valve is a process line accessory to be used for clear or viscous liquid products from group 2 in accordance with European pressure equipment directive PED 97/23/CE are CE compliant under the SEP "Sound Engineering Practice" (Article 3 - Paragraph 3).

### Design:

The VPA-WASHING body machined from round bar in one piece only is equipped with 3 series of oriented holes that allow the directional and conical projection of CIP solution into the tank. The stroke of special seating (TFM bellow diaphragm) it's governed by a pneumatic actuator NC- SR spring return.

### Connections:

CIP port inlet 1/2" clamp (12,7 mm) for pipe ASTM A270  
Body connection: 1 1/2" clamp removable for Special TK-Conn.

Special executions available on request as welding plate with radius or bigger different thickness, special adaptors plate in order to accommodate customer request, etc....

### Operating conditions:

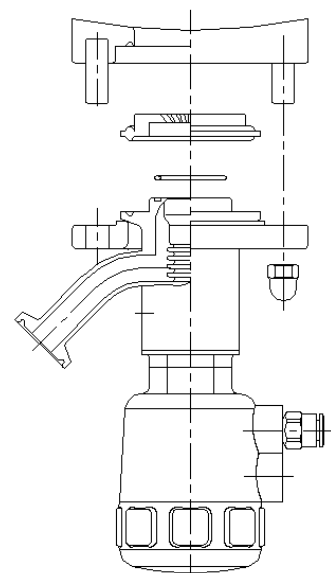
CIP solution working pressure range 4 – 5 bar g  
CIP solution min / max flowrate 30 / 40 lt/min  
Impact distance 1.500 mm approx  
Impact circle diameter 1.500 mm approx  
Spraying cone angle 45° up to 90°  
Working temperature range from 0°C to 90°C  
Max working pressure tank solution 5 bar g  
Air supply for pneumatic actuator press. 5 – 7 bar g  
Air connection R 1/8" (BSP) with snap connection for 6mm polyamide pipe

### Material:

Valve body and components in contact with the product being conveyed: 1.4404 -AISI 316L stainless steel  
Other metal components: 1.4301 AISI 304 stainless steel  
seat seal: TFM 1600 PTFE

### Surface finish:

TK-Connection product contact surface are finish with Ra<0,5 micron or better



### Spray Disk

Available in TFM 1600 PTFE or AISI316L stainless steel  
1,5 mm hole → 40 lt/min  
1,0 mm hole → 30 lt/min (TFM only)

**Get the information you need and more at : [info@aerreinox.it](mailto:info@aerreinox.it)**

In the interests of development and improvement of the product, we reserve the right to change the specifications without prior notice.

**Aerre Inox s.r.l.**

26010 FIESCO Via Gerola n.4 -CREMONA- Italy  
Tel. +39.0374.370828 Fax +39.0374.370833  
e-mail : [info@aerreinox.it](mailto:info@aerreinox.it) http : [www.aerreinox.it](http://www.aerreinox.it)