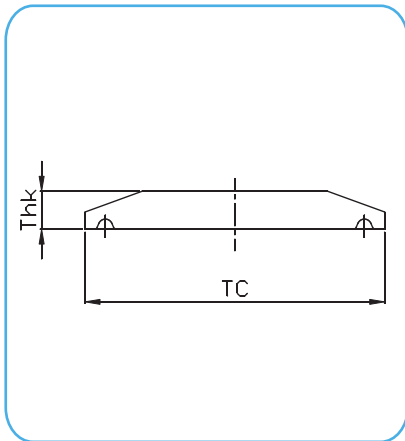


# 16AMP Clamp Blind Cap ASME BPE - BS 4825



## Technical Information:

**Connections:** Tri-Clamp according to ASME BPE (latest ed.)

**Material:** AISI 316L – 1.4404

**Internal Surface Finish:** SF1 Ra<=0.5µm → code **13** e.g.: 16AMP-A050-**13A**

**Optional:** SF4 Ra<=0.38µm Electropolish → code **43** e.g.: 16AMP-A050-**43A**

## 16AMP - BLIND END CAP ASME BPE DT-4.1.5-2

CODE		Size inch	TC (mm)	Thk (mm)
16AMP-A075-13A	●	1/2" - 3/4"	25	4.75
16AMP-A150-13A	●	1" - 1 1/2"	50.5	6.35
16AMP-A200-13A		2"	64	6.35
16AMP-A250-13A		2 1/2"	77.5	6.35
16AMP-A300-13A		3"	91	6.35
16AMP-A400-13A		4"	119	7.9
16AMP-A600-13A		6"	167	11.1

● one code accomodates two sizes 1/2" - 3/4"; the same for 1" - 1 1/2"

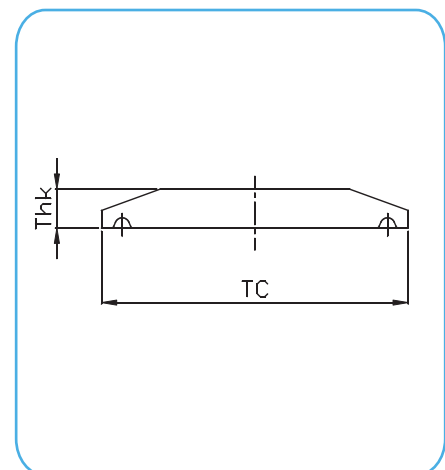
## Technical Information:

**Connections:** Tri-Clamp according to BS 4825

**Material:** AISI 316L – 1.4404

**Internal Surface Finish:** Ra<=0.5µm → code **13** e.g.: 16AMP-A800-**13A**

CODE	Size inch	TC (mm)	Thk (mm)
16AMP-A800-13A	8"	217.7	11.1
16AMP-AA10-13A	10"	268.5	14.3
16AMP-AA12-13A	12"	319.3	14.3



## 16AMP - BLIND END CAP BS 4825

## DATASHEETS



Last updates can be found on our website - [www.aerreinox.it](http://www.aerreinox.it)  
In the interests of development of the product, we reserve the right to change the specifications without prior notice