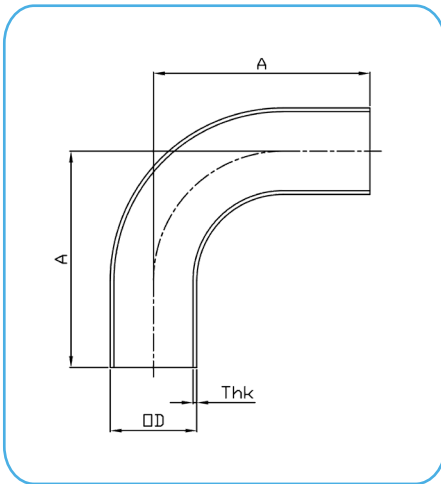


# L2S - L2KS Automatic Tube Weld Elbows ASME BPE



**L2S-ELBOW 90°  
BW x BW ASME BPE  
DT-4.1.1-1**

CODE	Size inch	OD X Thk (mm)	A (mm)
L2S-A050-13A	1/2"	12.7 x 1.65	76.2
L2S-A075-13A	3/4"	19.05 x 1.65	76.2
L2S-A100-13A	1"	25.4 x 1.65	76.2
L2S-A150-13A	1" 1/2	38.1 x 1.65	95.3
L2S-A200-13A	2"	50.8 x 1.65	120.7
L2S-A250-13A	2" 1/2	63.5 x 1.65	139.7
L2S-A300-13A	3"	76.2 x 1.65	158.8
L2S-A400-13A	4"	101.6 x 2.11	203.2
L2S-A600-13A	6"	152.4 x 2.77	292.1

## Technical Information:

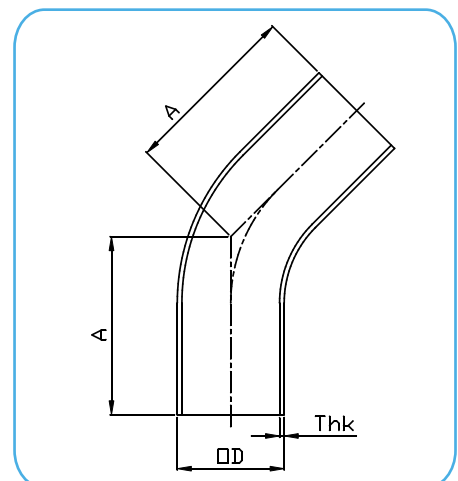
**Connections:** Automatic Tube Weld according to ASME BPE [latest ed.]

**Material:** AISI 316L – 1.4404

**Internal Surface Finish:** SF1 Ra<=0.5µm → code **13** e.g.: L2S-A050-**13A**

**Optional:** SF4 Ra<=0.38µm Electropolish → code **43** e.g.: L2S-A050-**43A**

CODE	Size inch	OD X Thk (mm)	A (mm)
L2KS-A050-13A	1/2"	12.7 x 1.65	57.2
L2KS-A075-13A	3/4"	19.05 x 1.65	57.2
L2KS-A100-13A	1"	25.4 x 1.65	57.2
L2KS-A150-13A	1" 1/2	38.1 x 1.65	63.5
L2KS-A200-13A	2"	50.8 x 1.65	76.2
L2KS-A250-13A	2" 1/2	63.5 x 1.65	85.7
L2KS-A300-13A	3"	76.2 x 1.65	92.1
L2KS-A400-13A	4"	101.6 x 2.11	114.3
L2KS-A600-13A	6"	152.4 x 2.77	158.8



**L2KS-ELBOW 45°  
BW x BW ASME BPE  
DT-4.1.1-4**

DATASHEETS



Last updates can be found on our website - [www.aerreinox.it](http://www.aerreinox.it)  
In the interests of development of the product, we reserve the right to change the specifications without prior notice