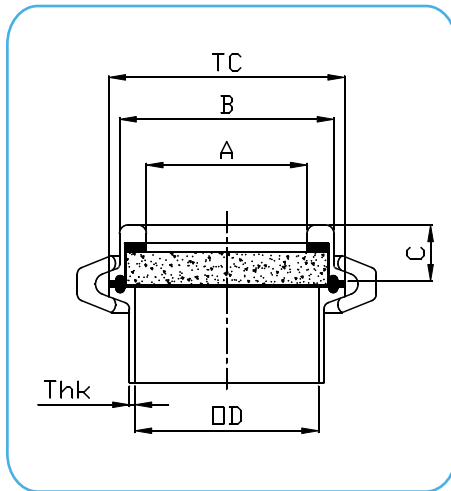


# SPK Flat Sight Glass with TC Connection



CODE	SIZE	ØTC mm	OD x Thk mm	A mm	B mm	C mm	Ferrule Length mm	Glass mm	
								OD	Thk
SPK-100-XG-71A	1"	50.5	25.4 x 1.65	22.5	44	18	28.6	38.5	10
SPK-150-XG-71A	1 1/2"	50.5	38.1 x 1.65	28	44	18	28.6	38.5	10
SPK-200-XG-71A	2"	64	50.8 x 1.65	41	56	18	28.6	51.5	10
SPK-250-XG-71A	2 1/2"	77.5	63.5 x 1.65	54.5	70	18	28.6	65	10
SPK-300-XG-71A	3"	91	76.2 x 1.65	67.5	82.7	18	28.6	78	10
SPK-400-XG-71A	4"	119	101.6 x 2.10	84	110	23	28.6	105	15

## Technical Information:

**Tri-Clamp Connections:** according to ASME BPE

**Cover Material:** AISI 316L – 1.4404

**Ferrule Material:** AISI 316L – 1.4404

**Clamp Material:** AISI 304 – 1.4301

**Glass Material:** Borosilicate Tempered

**Clamp Gasket Material:** Silicone (X) **Optional:** EPDM (E), FKM (V), PTFE (G)

**Glass Gasket Material:** PTFE (G) **Optional:** Silicone (X)

**Internal Surface Finish:** Ra ≤ 0.5µm code 71 e.g.: SPK-100-XG-71A

## Specifications:

**Max Working Pressure:** 6 barg

**Max Working Temperature:** 150°C

**Marking:** Each SPK Sight Glass is marked with serial number for full lot

### Advantages :

- Clear process visibility
- Fast and simple installation and maintenance
- Suitable for sterile applications
- Extremely compact design with large viewing area
- No product entrapment
- Sterilizable – Autoclavable

### CONFIGURATOR



### DATASHEETS



Last updates can be found on our website - [www.aerreinox.it](http://www.aerreinox.it)  
In the interests of development of the product, we reserve the right to change the specifications without prior notice