

SPK- CLAMP SIGHT GLASS Dimensions

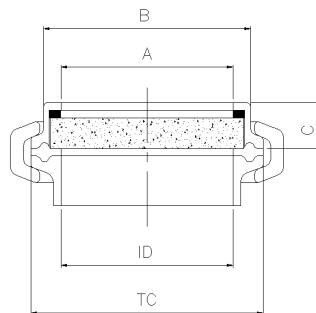
Applications :

for fit to clamp fittings according BS 4825, pipe standard according ASTM A269 / 270

Hygienic device may be clamp connected or orbital welded onto a piping system, offer clear process visibility

Advantages :

- Fast and simple installation and maintenance
- Suitable for food processing and sterile applications
- Extremely compact construction with large viewing area
- No product entrapment
- Sterilizable – Autoclavable



dimensions table

CODE	TC	ID	A	B	C	Borosilicate OD	glass Thk	P max	T max
SPK-100-XG-71A	50,4	22,1	22,5	44,0	18	38,5	10	6 bar	150°C
SPK-150-XG-71A	50,4	34,8	28,0	44,0	18	38,5	10	6 bar	150°C
SPK-200-XG-71A	64,0	47,5	41,0	56,0	18	51,5	10	6 bar	150°C
SPK-250-XG-71A	77,5	60,2	54,5	70,0	18	65,0	10	6 bar	150°C
SPK-300-XG-71A	91,0	72,9	67,5	84,0	18	78,0	10	6 bar	150°C
SPK-400-XG-71A	119,0	97,4	84,0	110,0	23	105,0	15	6 bar	150°C

Operating Conditions:

Design Pressure up to 6 bar
Design Temperature up to 150 °C

Material:

cap AISI 316L stainless steel
ferrule AISI 316L stainless steel
clamp AISI 304 stainless steel
insert material Borosilicate glass
gaskets Silicone (X)
lens cushion gaskets PTFE (G)

Optional:

Other gaskets material available on request EPDM (EG), FKM (VG), PTFE (GG)
or with Silicone lens cushion Silicone (XX), EPDM (EX), FKM (VX), PTFE (GX)

Surface finish:

TKC product contact surface are finish with Ra<0,5 micron or better

Marking:

Each SPH Sanitary Flow Indicator is marked with code, material and serial number for full lot traceability





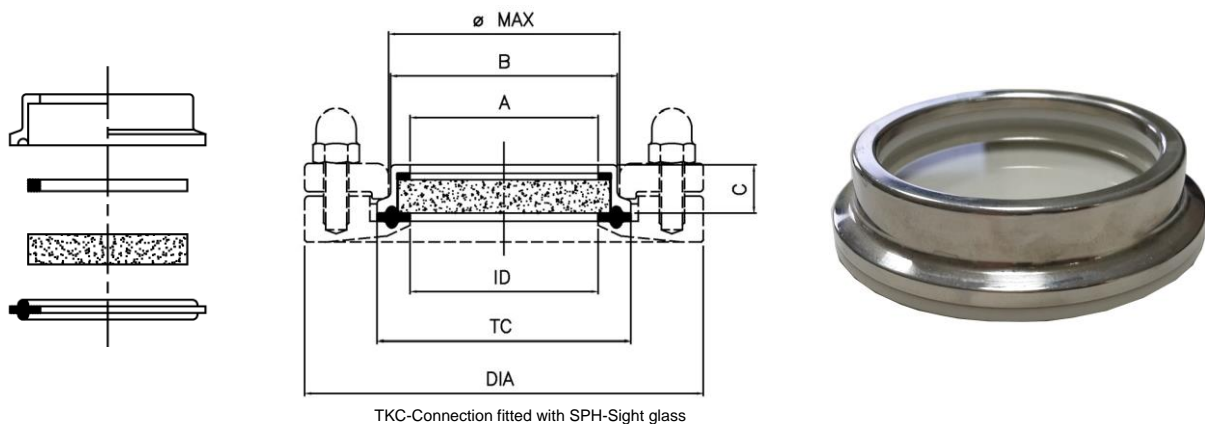
SPH - SIGHT GLASS Dimension

Put a window in your processing systems with the Sanitary SPH- SIGHT GLASS

Designed for fit the flush mounted TKC-connections System to offer clear process visibility

Advantages :

- Fast and simple installation and maintenance
- Extremely compact construction
- Eliminate dead leg
- No product entrapment
- No air pockets during sterilisation
- Special size available per drawing request



TKC-Connection fitted with SPH-Sight glass

dimensions table

CODE	DIA	TC	ID	φ max	A	B	C	Borosilicate glass OD Thk	P max	T max
SPH-100-XG-71A	85,0	50,4	22,1	45,0	22,5	44,0	18,0	38,5 10	6 bar	150°C
SPH-150-XG-71A	85,0	50,4	34,8	45,0	28,0	44,0	18,0	38,5 10	6 bar	150°C
SPH-200-XG-71A	100,0	64,0	47,5	57,0	41,0	56,0	18,0	51,5 10	6 bar	150°C
SPH-250-XG-71A	112,0	77,5	60,2	71,0	54,5	70,0	18,0	65,0 10	6 bar	150°C
SPH-300-XG-71A	130,0	91,0	72,9	85,0	67,5	84,0	18,0	78,0 10	6 bar	150°C
SPH-400-XG-71A	170,0	119,0	97,4	113,0	84,0	110,0	23,0	105,0 15	6 bar	150°C

Operating Conditions:

Design Pressure up to 6 bar
Design Temperature up to 150 °C

Material:

cap AISI 316L stainless steel
insert material Borosilicate glass
gaskets Silicone (X)
lens cushion gaskets PTFE (G)

Optional:

Other gaskets material available on request EPDM (EG), FKM (VG), PTFE (GG)
or with Silicone lens cushion Silicone (XX), EPDM (EX), FKM (VX), PTFE (GX)

Surface finish:

TKC product contact surface are finish with Ra<0,5 micron or better

Marking:

Each SPH Sanitary Flow Indicator is marked with code, material and serial number for full lot traceability



Get the information you need and more at : info@aerreinox.it

In the interests of development and improvement of the product, we reserve the right to change the specifications without prior notice.

Aerre Inox s.r.l.

26010 FIESCO Via Gerola n.4 -CREMONA- Italy
Tel. +39.0374.370828 Fax +39.0374.370833
e-mail : info@aerreinox.it http : www.aerreinox.it