



## METAL FUSED SIGHTGLASSES for clamp fittings



Metal fused Triclamp sanitary sightglass fitting, type "Standard View" (SV)



Metal fused Triclamp sanitary sightglass fitting, type "Large View" (LV)

### Applications:

For clamp fittings to DIN 32676 / ISO 2852

### Versions:

- Version with standard view, type "Standard View" (SV)
- Version with enlarged view, type "Large View" (LV)

### Advantages:

- Suitable for food processing and sterile applications
- High security
- Easy installation

### Technical data:

- Test base: DGRL 97 / 23 / EG, AD 2000 standards, DIN 7079-1 May 1999
- Materials to VdTÜV specifications and the respective DIN/EN standards

### Certificates:

To be supplied to DIN EN 10204-3.1 against extra charge

### Operating conditions:

- Pressure: -1 to 6 / 10 / 16 / 25 bar (see table)

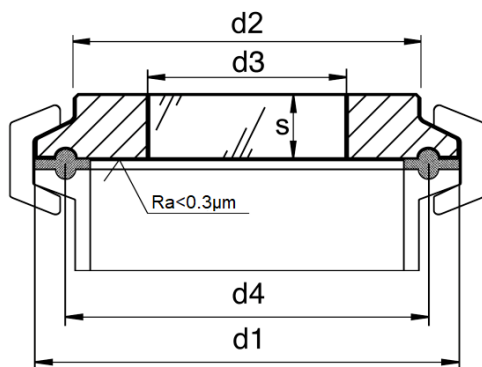
### Temperatures:

- Ring materials: 1.4462: - 30 °C to + 280 °C (SV) / +150 °C (LV)
- 2.4602: - 60 °C to + 300 °C (SV) / +150 °C (LV)
- 2.4610: - 60 °C to + 300 °C (type SV only)

### Materials:

- Ring: 1.4462, 2.4602, 2.4610 (SV) / 1.4462, 2.4602 (LV)
- Glass quality: Borosilicate to DIN 7080 (SV)  
Sodium silicate to DIN 8901 (quality B270 Superwhite) (LV)

### Dimensions:



	DN Nominal Diameter			d1	d2		d3		d4	S		P. Max
	DIN	ISO	BS4825		SV	LV	SV	LV		SV	LV	
075	-	-	1/2" - 3/4"	25	18	-	10	-	20,5	10	-	25
075C	10/15/20	8/10/15	-	34	21	-	14	-	27,5	8	-	25
150	25/32/40	20/25/32	1"-1 1/2"	50,5	41	42,5	25	30	43,5	10	10	16
200	50	40	2"	64	52	55,6	30	37	56,5	10	12	16
250	-	50	2 1/2"	77,5	67	67	35	45	70,5	10	14	16
300	65	65	3"	91	76	82,4	40	55	83,5	10	14	10
350	80	80	3 1/2"	106	90	90	50	60	97	10	15	10
400	100	-	4"	119	101	108	55	75	110	12	18	10
450	-	100	4 1/2"	130	114	-	60	-	122	16	-	10
500A	-	-	5"	144,5	127	-	65	-	134,5	16	-	10
500C	125	-	-	155	138	-	70	-	146	16	-	6
600A	-	-	6"	167	152	152	75	105	156,5	16	22	6
600C	150	-	-	183	160	-	80	-	174,3	16	-	6
800A	-	-	8"	217,5	198	203	100	130	207,4	18	24	6
800C	200	-	-	233,5	210	-	100	-	255,1	18	-	6
A10A	-	-	10"	268	245	245	120	160	257,8	20	25	6
A10C	250	-	-	287,5	266	-	140	-	278,4	22	-	6
A12A	-	-	12"	319,3	300	300	140	200	309,1	22	30	6
A12C	300	-	-	338,3	316	-	150	-	328,4	22	-	6

### Typical assembly

All dimensions in mm. Subject to changes without preliminary notice.

i.e. code: **SPM- 250 - SV - 84F**

dimension ↑ - ↑ SV standard view or LV large view

**Get the information you need and more at: [info@aerinox.it](mailto:info@aerinox.it)**

In the interests of development and improvement of the product, we reserve the right to change the specifications without prior notice.

**Aerre Inox s.r.l.**

26010 FIESCO Via Gerola n.4 -CREMONA - Italy  
Tel. +39. 0374. 370828 Fax +39. 0374. 370833  
e-mail : [info@aerinox.it](mailto:info@aerinox.it) http : [www.aerinox.it](http://www.aerinox.it)