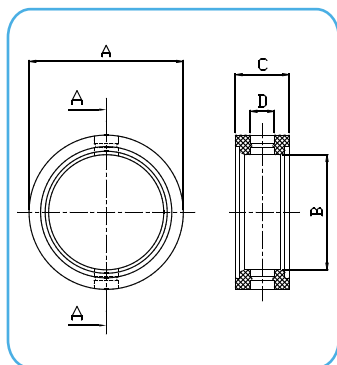


# VF Butterfly Valve Spare Parts



## Elastomer available:

code **X** **SILICONE** WHITE color code  
 code **E** **EPDM** BLACK color code  
 code **SFY** **FKM** BLUE color code

Size DN	025	032	040	050	060	065	070	080	100	125	150	200	250
<b>A</b>	45	52	55	67	78	84.7	90	105	125	151	179.5	231	276
<b>B</b>	25	32	38	50	60	65	70	81.5	99	125.5	149.6	197	250.4
<b>C</b>	22	22	22	23.4	23.5	23.6	23.5	24	24	32	32	32.3	28
<b>D</b>	10.5	10.5	10.5	10.5	10.5	11	10.5	12.7	12.5	13.5	13.7	14.5	14.5

Code: 40VF-D..(size)-.(material) i.e. 40VF-D025-X

## Elastomer features and technical data

Material	SILICONE "X"	EPDM "E"	FKM "SFY"
Temperature	<b>-62° @ 232°C</b>	<b>-51° @ 149°C</b>	<b>-29° @ 177°C</b>
Working temperature	<b>-10° @ 150°C</b>	<b>-10° @ 130°C</b>	<b>-10° @ 150°C</b>
Acid	scarce/good	good/excellent	good/excellent
Alkali	scarce/mediocre	good/excellent	scarce/mediocre
Abrasion resistance	scarce	good	good

## GASKET REPLACEMENT

1. Remove service fluid from plant
2. To handle corrosive fluids observe rules to safeguard maintenance personnel and plant
3. Remove handle (or pneumatic actuator) from valve's body
4. Unscrew both the heads to open the valve's body
5. Pull out shutter and seat from the heads
6. With a specific tool (for pin) remove seat from shutter (figure 2)
7. Before re-assembling valve be sure that all seal surfaces are completely clean and avoid to damage the new seat
8. Insert the new seat into the long side of the shutter (figure 1)
9. Pay maximum attention: with a specific tool (for pin) slip new seat on the shutter (figure 2), the result in figure 3
10. Insert the shutter into the heads and re-assemble the valve, screw both sides until heads' faces tightly perfectly
11. Assemble handle (or pneumatic actuator) on valve's body
12. After first sterilization cycle, check the valve to be sure there isn't leakage. Put back in service fluid



DATASHEETS



Last updates can be found on our website - [www.aerreinox.it](http://www.aerreinox.it)  
 In the interests of development of the product, we reserve the right to change the specifications without prior notice