

## VS Q BALL VALVE 100130

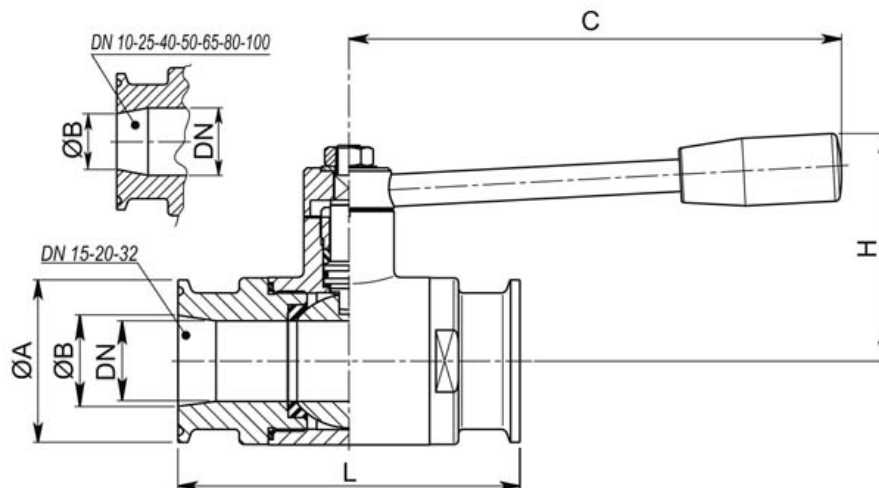


### 100130

2-WAY ball valves  
Steering control: stainless steel lever,  
thermoplastic knob  
Connections: CLAMP BS4825  
Bore through: full and reduced  
Material: Aisi 304L - 316L  
Size: from 1/2" to 4"  
Seals: P.T.F.E. virgin  
Operating Temperature: -20°C +160°C  
Outer finish: polished

### On Request

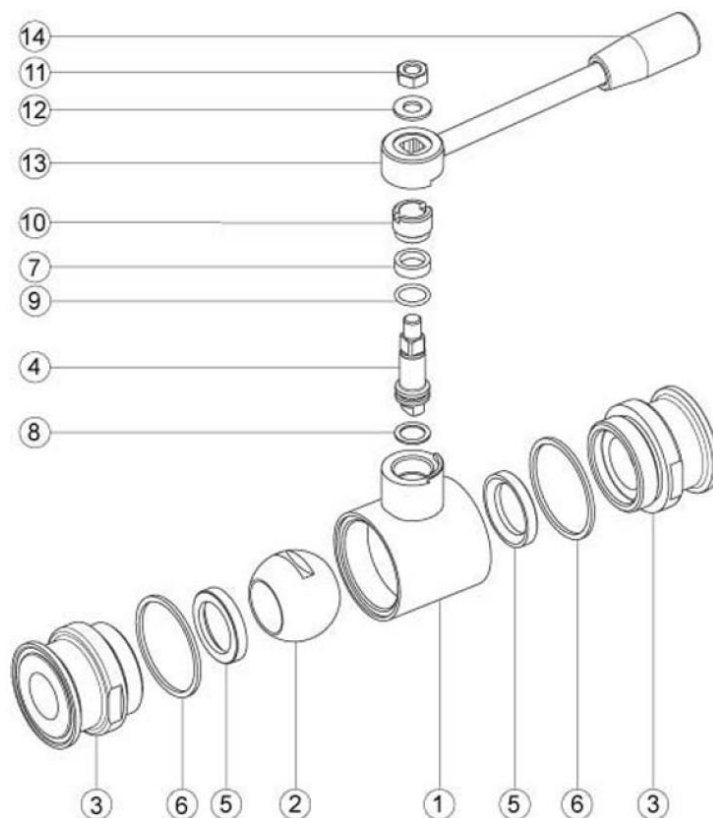
- KF connections
- Antistatic device ATEX



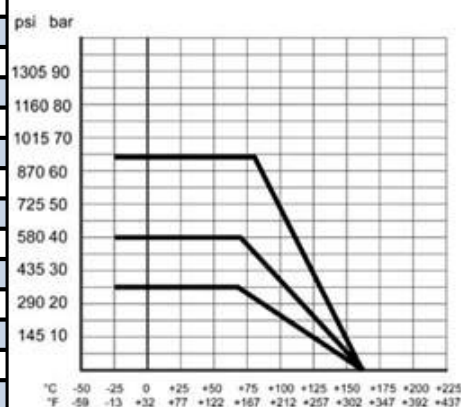
CLAMP SERIE C DN/OD	DN	L	Ø A	Ø B	C	H	PN	Kg	CODICE AISI 316L
1/2"	10	88	25	9,4	110	50	64	0,43	100130 61210
3/4"	15	92	25	15,75	110	55	64	0,52	100130 61810
1"	20	102	50,5	22,1	110	60	64	0,93	100130 62410
1"	25	106	50,5	22,1	160	65	40	1,35	100130 62610
1 1/2"	32	112	50,5	34,8	160	70	40	1,42	100130 63210
1 1/2"	40	126	50,5	34,8	190	80	40	2,43	100130 63410
2"	40	126	64	47,5	190	80	40	2,42	100130 63610
2"	50	136	64	47,5	190	90	25	3,51	100130 63810
2 1/2"	65	154	77,5	60,2	235	110	25	5,80	100130 64410
3"	80	184	91	72,9	285	130	25	9,00	100130 64810
4"	100	190	119	97,38	310	150	25	13,60	100130 65410



Sanitary  
flow  
equipment



POS.	DENOMINATION	PCS	MAT.
1	Body	1	AISI 316L
2	Ball	1	AISI 316L
3	Sleeves	2	AISI 316L
4	Stem	1	AISI 316L
5	Ball seals	2	PTFE
6	Sleeve seals	2	PTFE
7	Stem seal	1	PTFE
8	Stem seal	1	PTFE
9	Stem OR-seal	1	FKM
10	Register ring	1	AISI 304L (303)
11	Nut	1	AISI 304L
12	Washer	1	AISI 304L
13	Lever	1	AISI 304L
14	Handle	1	Resina



**Get the information you need and more at : [info@aerreinox.it](mailto:info@aerreinox.it)**

In the interests of development and improvement of the product, we reserve the right to change the specifications without prior notice.

**Aerre Inox s.r.l.**

26010 FIESCO Via Gerola n.4 -CREMONA- Italy  
Tel. +39.0374.370828 Fax +39.0374.370833  
e-mail : [info@aerreinox.it](mailto:info@aerreinox.it) http : [www.aerreinox.it](http://www.aerreinox.it)