



Sanitary  
flow  
equipment



## VSSM-TB-BW Tank Bottom ball valve welded body

### Application:

The "TB" Series Flush Tank ball valve incorporates all the advantages of VSS. Available in different executions, may be fit at the tank bottom by welding plate OR TK-Connection; for special applications on existing reactors, we also manufactures special adaptor plates in order to accommodate customer request.

The special design of the welding plate, is an integral welded part of the tank surface and preventing stagnation of the media.

### Benefits over conventional Flush Tank Valve:

Valve mounts flush with the inside vessel wall, minimizing dead space  
Angle stem allow actuator clearance on jacketed or insulated tanks  
Higher CV with full bore, no pressure drop  
Simple quarter-turn opening

### Standards:

The VSS-TB-BW ball valve is a process accessory to be used for clear or viscous liquid products from group 2 in accordance with European pressure equipment directive PED 97/23/CE are CE compliant under the SEP "Sound Engineering Practice" (Article 3 - Paragraph 3)

### Operating conditions:

Minimum /max working pressure Vacuum / 6 bar g  
Minimum /max working temperature -10°C to 150°C

### Material:

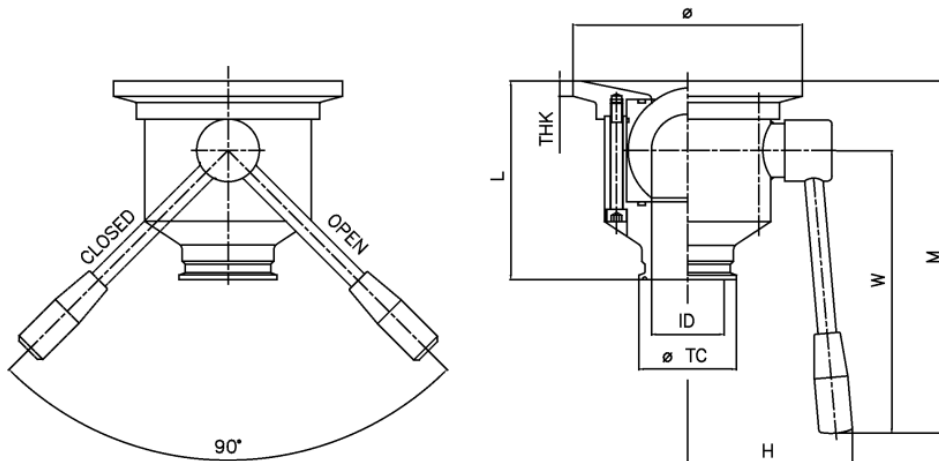
Valve body and components in contact with the product being conveyed : 1.4404 -AISI 316L stainless steel  
seat seal TFM 1600 PTFE with o-ring in viton



Dimensions table

CODE	DN	ØTC	ID	L	M	W	Ø	Thk
VSF-100AJ-VMSI-11A	25	50,4	22,1	95	200	155	100	8
VSF-150AM-VMSI-11A	40	50,4	34,8	120	240	185	100	10
VSF-200AN-VMSI-11A	50	64	47,5	140	250	185	150	10
VSF-250AO-VMSI-11A	65	77,4	60,2	150	310	245	150	10
VSF-300AP-VMSI-11A	80	90	72,9	170	325	245	220	12
VSF-400AR-VMSI-11A	100	118,8	97,6	210	480	370	250	15

Special executions available on request : Welding plate with radius or bigger different thickness, extended tube for orbital welding.  
For special applications, we manufactures special adaptor plates, when replacing a conventional flush tank valve, with a flush tank ball valve and also to ship the plate independently from the valve, in order to accommodate customer requests.





Sanitary  
flow  
equipment

## VSSP-TB-BW Pneumatically Actuated

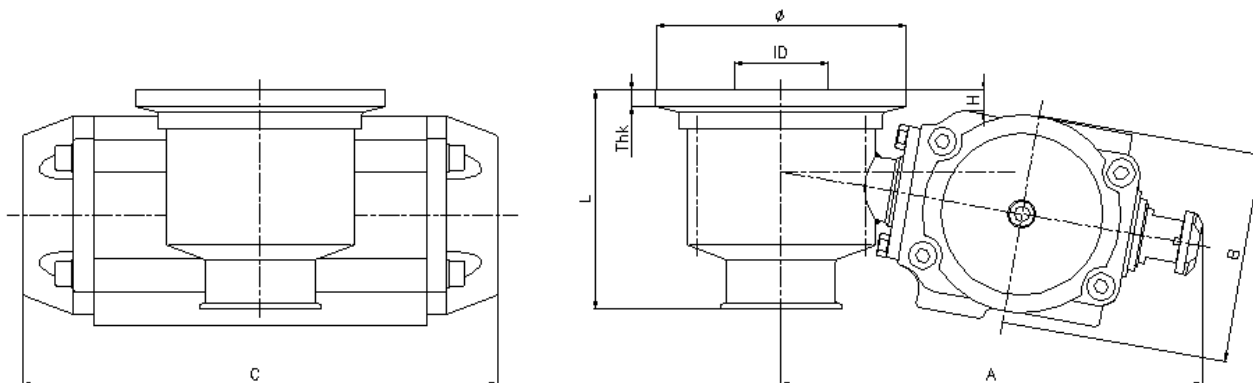


Dimensions table

CODE angle stem	Actuator type	Nm	DN	A	B	C	Ø	L	Thk	H	ID	ISO	□
VSF-100AJ-VSAA-11A	Spring return RE064	30	25	180	85	155	100	80	8	8	22,1	F05	14
VSF-150AM-VSAA-11A	Spring return RE086	60	40	210	105	240	120	100	10	7,5	34,8	F05	14
VSF-200AN-VSAA-11A	Spring return RE101	120	50	240	120	260	150	120	10	12	47,5	F05	17
VSF-250AO-VSAA-11A	Spring return RE116	180	65	270	135	305	160	140	10	13	60,2	F07	17
VSF-300AP-VSAA-11A	Spring return RE126	240	80	305	145	335	180	150	12	20	72,9	F07	17
VSF-400AR-VSAA-11A	Spring return RE161	480	100	380	182	425	220	190	15	17	97,6	F12	22

Pneumatic actuator type : RE = Simple Effect, spring return DA= Double Acting, air to close

### ISO 5211 MOUNTING PAD FOR PNEUMATIC ACTUATOR



## Welding Instructions

### Valve pads welding:

Valve pads may be welded directly to tank or to section of piping. Because excessive temperature may damage the valve's seats and seals, the valve body must be removed from the pad prior to welding. The valve body should be re-installed after the pad cools and has been cleaned.

One of the leading causes of seat and seal damage is improper cleaning, or the lack of cleaning, after welding.

Failure to remove weld slag and other particulates may cause seat and seal damage when the valve is cycled.

**Get the information you need and more at : [info@aerinox.it](mailto:info@aerinox.it)**

In the interests of development and improvement of the product, we reserve the right to change the specifications without prior notice.

**Aerre Inox s.r.l.**

26010 FIESCO Via Gerola n.4 -CREMONA- Italy  
Tel. +39.0374.370828 Fax +39.0374.370833  
e-mail : [info@aerinox.it](mailto:info@aerinox.it) http : [www.aerinox.it](http://www.aerinox.it)