

# VSS High Purity Ball Valves



The VSS high purity ball valves are engineered to be a true process piping component, suitable for intercepting pure steam and pharmaceutical fluids under pressure.

These three pieces ball valves are machined from solid round bar in AISI 316L, with ball enclosed in two integral modified PTFE sealing seats, providing quality and reliability into your process.

Thanks to their full bore design, the VSS ball valves minimize the flow turbulence and pressure drop.



## ADVANTAGES:

- ✓ Hygienic design
- ✓ High flow rate through an unobstructed flow path
- ✓ Quick, quarter-turn operation
- ✓ Easy to automate pneumatically
- ✓ Wide range of applications
- ✓ Simple and fast maintenance
- ✓ Certified materials for Pharmaceutical use
- ✓ Full traceability

## APPLICATION:

Designed for meeting the requirements of the plants in the Pharmaceutical, Food & Beverage, Cosmetics, Dairy, Fine Chemicals industries.

The high purity design is completed by the heads assembled by means of hidden screws, the stainless steel handle, and the internal and external surface finishing.

<b>Size range</b>	1/2" - 3/4" - 1" - 1 1/2" - 2" - 2 1/2" - 3" - 4"
<b>End connections</b>	Tri-Clamp or butt weld dimensionally according to ASME BPE
<b>Stainless steel in contact parts Material</b>	AISI 316L - 1.4404
<b>Seat Material</b>	Modified PTFE
<b>O-Ring Material</b>	FKM (standard) - EPDM - SILICONE - FFKM
<b>Internal surface finish</b>	Ra ≤ 0.5µm
<b>Working pressure rating (common use)</b>	From 1/2" to 2" 1/2 Vacuum + 30 barg 3" and 4" Vacuum + 10 barg
<b>Working temperature rating (common use)</b>	0°C + 150°C (Only for sterilization or short time)
<b>Working condition (continuous steam)</b>	1/2" - 3/4" - 3" - 4" Max 4 barg Max 152°C [VSS standard version] 1" - 1 1/2" - 2" - 2 1/2" Max 4 barg Max 152°C [VSV version, dedicated seats]
<b>Certifications</b>	3.1 material certificates (in contact) according to UNI EN 10204 FDA USP Class VI ATEX other certificates on request

\*For actuators and optional see page 3

For further details about codes and download of the drawings, visit our  
[CONFIGURATOR](#)

CONFIGURATOR



DATASHEETS



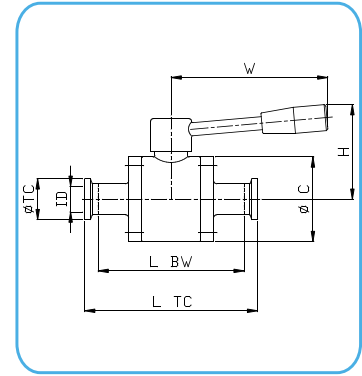
Last updates can be found on our website - [www.aerreinox.it](http://www.aerreinox.it)

In the interests of development of the product, we reserve the right to change the specifications without prior notice





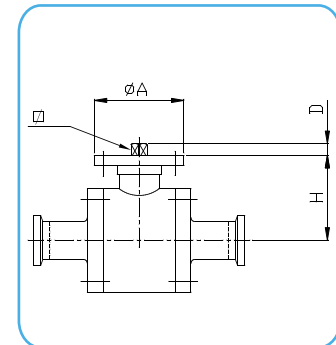
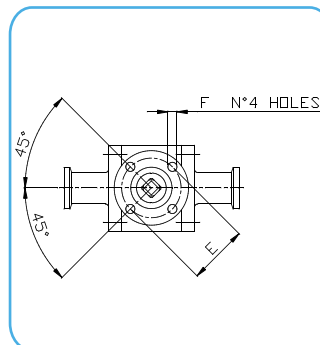
## MANUAL HANDLE



CODE	Size inch	ØTC mm	ID mm	LTC mm	LBW mm	W mm	H mm	ØC mm
VSS-050AGAG-VMSI-13A	1/2"	25	9.4	106	102	96	58	52
VSS-075AHAH-VMSI-13A	3/4"	25	15.75	106	102	96	58	52
VSS-100AJAJ-VMSI-13A	1"	50.5	22.1	120	120	155	84	74
VSS-150AMAM-VMSI-13A	1" 1/2	50.5	34.8	135	135	185	100	84
VSS-200ANAN-VMSI-13A	2"	64	47.5	147	147	185	110	109
VSS-250AADO-VMSI-13A	2" 1/2	77.5	60.2	160	160	243	120	120
VSS-300APAP-VMSI-13A	3"	91	72.9	180	180	243	136	150
VSS-400ARAR-VMSI-13A	4"	119	97.4	217	217	367	177	185

\* code **A** = TC Tri-clamp    code **B** = BW butt weld  
 O-Ring material code **V** = FKM    code **E** = EPDM    code **X** = SILICONE    code **K** = FFKM

## MOUNTING PAD ISO 5211 FOR PNEUMATIC ACTUATOR



CODE	ØA mm	D mm	E mm	F mm	ISO	□	Nm	H mm
VSS-050AGAG-VW-13A	45	9	36	5.5	F03	9	11	42.5
VSS-075AHAH-VW-13A	45	9	36	5.5	F03	9	11	42.5
VSS-100AJAJ-VW-13A	65	10	50	6.5	F05	11	21	58.5
VSS-150AMAM-VW-13A	65	14.5	50	6.5	F05	17	67	67
VSS-200ANAN-VW-13A	65	14.5	50	6.5	F05	14	100	77
VSS-250AADO-VW-13A	85	19	70	8.5	F07	22	161	83.5
VSS-300APAP-VW-13A	85	14.5	70	8.5	F07	17	210	97
VSS-400ARAR-VW-13A	120	18	102	11	F10	22	405	126

\* code **A** = TC Tri-clamp    code **B** = BW butt weld  
 O-Ring material code **V** = FKM    code **E** = EPDM    code **X** = SILICONE    code **K** = FFKM

Refer to the table above for other dimensions

CONFIGURATOR



Last updates can be found on our website - [www.aerreinox.it](http://www.aerreinox.it)  
 In the interests of development of the product, we reserve the right to change the specifications without prior notice

DATASHEETS





**MANUAL  
STAINLESS STEEL  
HANDLE**



**WITH BRACKETS  
FOR ACTUATOR**





**PNEUMATIC  
ACTUATOR SIMPLE  
OR DOUBLE EFFECT**



**PNEUMATIC ACTUATOR  
+ SWITCH BOX**

## OPTIONAL

- Pneumatic stainless steel simple effect
- Pneumatic stainless steel double effect
- Manual lockable version
- Electropolishing
- Other Materials
- Connections according to other norms
- Customizable on request
- ATEX certification   II 2G Ex h IIB T6...T3 Gb X  
II 2D Ex h IIIC T85°C...T165°C Db X

### CONFIGURATOR



### DATASHEETS



Last updates can be found on our website - [www.aerreinox.it](http://www.aerreinox.it)  
In the interests of development of the product, we reserve the right to change the specifications without prior notice