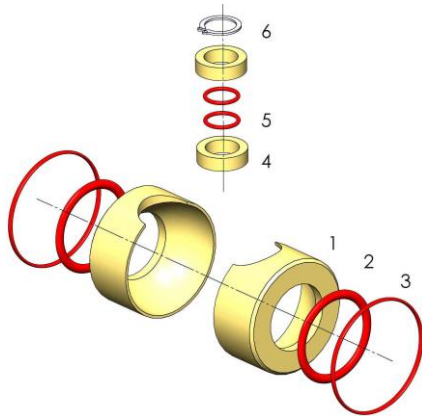


KIT-VSS Spare Parts KIT



KIT-VSS include

item	q.ty	description	material
1	2	seat	TFM™ PTFE
2	2	o-ring seat	FKM
3	2	o-ring heads	FKM
4	2	stem guide bushing	PTFE + 25% glass
5	2	o-ring stem	FKM
6	1	elastic ring (seeger)	AISI 304 stainless steel

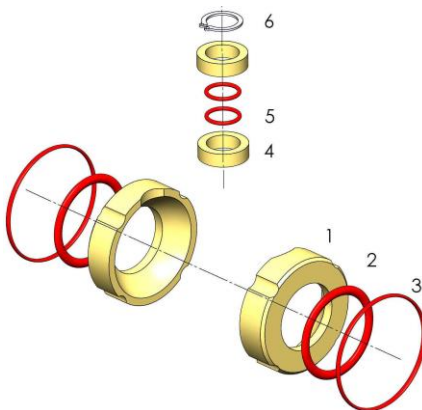


Code **VSS cavity filled seat**
TFM PTFE for high purity service
Not available for steam service

code	1 seat	2 O-R seat	3 O-R heads	4 stem guide bush.	5 O-R stem	6 seeger
KSS-050-V-01	40TFM-32x10x13	OR 4075-SFY	OR 2112-SFY	40PTFE-14x10x4	OR 106-SFY *	10 UNI7435
KSS-075-V-01	40TFM-32x15x13	OR 4075-SFY	OR 2112-SFY	40PTFE-14x10x4	OR 106-SFY *	10 UNI7435
KSS-100-V-01	40TFM-45x22x20	OR 4131-SFY	OR 2162-SFY	40PTFE-20x14,8x7	OR 112-SFY	15 UNI7435
KSS-150-V-01	40TFM-60x34,5x27	OR 4162-SFY	OR 2225-SFY	40PTFE-25x16,8x7	OR 2050-SFY	17 UNI7435
KSS-200-V-01	40TFM-80x47,5x33	OR 162-SFY	OR 2300-SFY	40PTFE-25x16,8x7	OR 2050-SFY	17 UNI7435
KSS-250-V-01	40TFM-97x60x39,5	OR 174-SFY	OR 3350-SFY	40PTFE-28x22x7	OR 2075-SFY	22 UNI7435
KSS-300-V-01	40TFM-120x72,6x48,6	OR 6362-SFY	OR 4437-SFY	40PTFE-28x22x7	OR 2075-SFY	22 UNI7435
KSS-400-V-01	40TFM-155x97,6x62	OR 193-SFY	OR 4587-SFY	40PTFE-35x28x10	OR 4081-SFY	28 UNI7435

* one piece only O-Ring stem for size 1/2" and 3/4"

KIT-VSV Spare Parts KIT



KIT-VSV include

item	q.ty	description	material
1	2	special machined seat	TFM™ PTFE
2	2	o-ring seat	FKM
3	2	o-ring heads	FKM
4	2	stem guide bushing	PTFE + 25% glass
5	2	o-ring stem	FKM
6	1	elastic ring (seeger)	AISI 304 stainless steel



Code **VSV seat**
TFM PTFE for steam service

code	1 seat	2 O-R seat	3 O-R heads	4 stem guide bush.	5 O-R stem	6 seeger
KSS-050-V-01	40TFM-32x10x13 **	OR 4075-SFY	OR 2112-SFY	40PTFE-14x10x4	OR 106-SFY *	10 UNI7435
KSS-075-V-01	40TFM-32x15x13**	OR 4075-SFY	OR 2112-SFY	40PTFE-14x10x4	OR 106-SFY *	10 UNI7435
KSV-100-V-01	40TFMV-45x22x13	OR 4131-SFY	OR 2162-SFY	40PTFE-20x14,8x7	OR 112-SFY	15 UNI7435
KSV-150-V-01	40TFMV-60x34,8x16	OR 4162-SFY	OR 2225-SFY	40PTFE-25x16,8x7	OR 2050-SFY	17 UNI7435
KSV-200-V-01	40TFMV-80x47,5x13	OR 162-SFY	OR 2300-SFY	40PTFE-25x16,8x7	OR 2050-SFY	17 UNI7435
KSV-250-V-01	40TFMV-97x60x18	OR 174-SFY	OR 3350-SFY	40PTFE-28x22x7	OR 2075-SFY	22 UNI7435
KSS-300-V-01	40TFMV-120x72,6x20	OR 6362-SFY	OR 4437-SFY	40PTFE-28x22x7	OR 2075-SFY	22 UNI7435
KSS-400-V-01	40TFMV-155x97,6x25	OR 193-SFY	OR 4587-SFY	40PTFE-35x28x10	OR 4081-SFY	28 UNI7435

* one piece only O-Ring stem for size 1/2" and 3/4"

** cavity filled seat available only for size 1/2" and 3/4"

Get the information you need and more at : info@aerreinox.it

In the interests of development and improvement of the product, we reserve the right to change the specifications without prior notice.

Aerre Inox s.r.l.

26010 FIESCO Via Gerola n.4 -CREMONA - Italy
Tel. +39. 0374. 370828 Fax +39. 0374. 370833
e-mail : info@aerreinox.it http : www.aerreinox.it