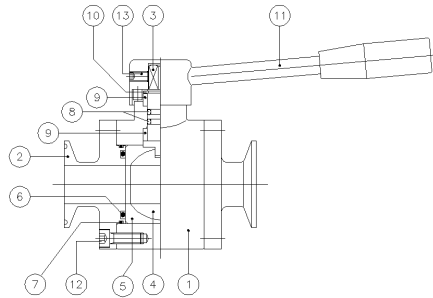
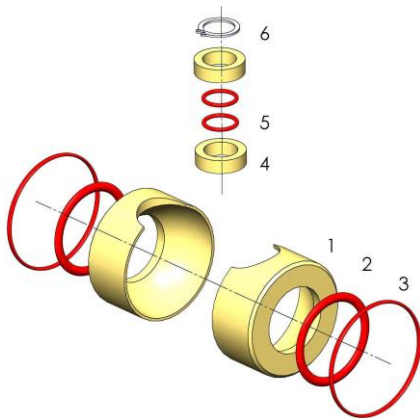


SPARE PARTS for SANITARY BALL VALVE



Standard Spare Parts KIT for VSS



KIT-VSS include

item	q.ty	description	material
5	2	seat	TFM™ PTFE
7	2	o-ring seat	FKM
6	2	o-ring heads	FKM
9	2	stem guide bushing	PTFE + 25% glass
8	2	o-ring stem	FKM
10	1	elastic ring (seeger)	AISI 304 stainless steel

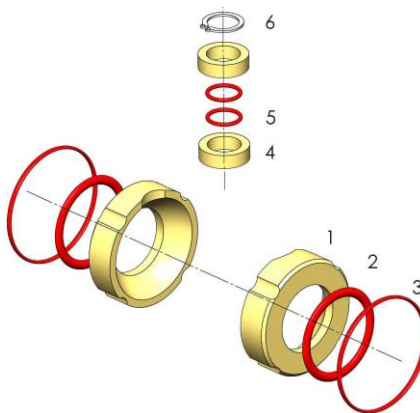


Code **VSS cavity filled seat**
TFM PTFE for high purity service
Not available for steam service

code
KSS-050-V-01
KSS-075-V-01
KSS-100-V-01
KSS-150-V-01
KSS-200-V-01
KSS-250-V-01
KSS-300-V-01
KSS-400-V-01

* one piece only O-Ring stem for size 1/2" and 3/4"

Steam Service Spare Parts KIT for VSV



KIT-VSV include

item	q.ty	description	material
5	2	special machined seat	TFM™ PTFE
7	2	o-ring seat	FKM
6	2	o-ring heads	FKM
9	2	stem guide bushing	PTFE + 25% glass
8	2	o-ring stem	FKM
10	1	elastic ring (seeger)	AISI 304 stainless steel



Code **VSV seat**
TFM PTFE for steam service

code
KSS-050-V-01
KSS-075-V-01
KSV-100-V-01
KSV-150-V-01
KSV-200-V-01
KSV-250-V-01
KSS-300-V-01
KSS-400-V-01

* one piece only O-Ring stem for size 1/2" and 3/4"
** cavity filled seat available only for size 1/2" and 3/4"

check for the last updates of this document on our website www.aerreinox.it

In the interests of development and improvement of the product, we reserve the right to change the specifications without prior notice.

Aerre Inox s.r.l.

26010 FIESCO Via Gerola n.4 - CREMONA - Italy
Tel. +39. 0374. 370828 Fax +39. 0374. 370833
e-mail : info@aerreinox.it http : www.aerreinox.it