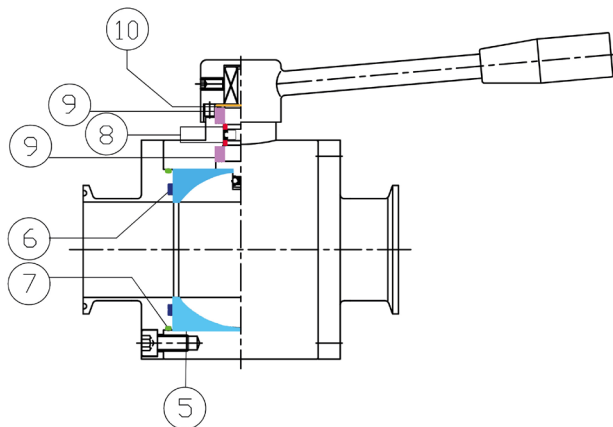


VSS - VSV

Spare Parts for Sanitary Ball Valve



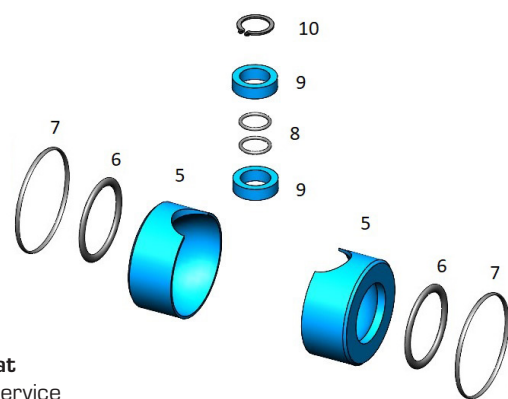
Standard Spare Parts KIT for VSS

CODE

- KSS-050-V-01
- KSS-075-V-01
- KSS-100-V-01
- KSS-150-V-01
- KSS-200-V-01
- KSS-250-V-01
- KSS-300-V-01
- KSS-400-V-01

KIT-VSS include

ITEM	q.ty	description	material
5	2	seat	Modified PTFE
6	2	o-ring seat	FKM
7	2	o-ring heads	FKM
8	2	o-ring steam	FKM
9	2	steam guide bushing	Modified PTFE
10	1	elastic ring (seeger)	AISI 304 stainless steel



*one piece only O-Ring stem for size 1/2" and 3/4"

Code **VSS cavity filled seat**
 Modified PTFE for high purity service
 Not available for steam service

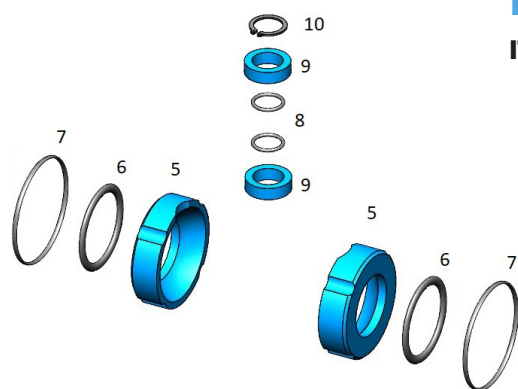
Steam Service Spare Parts KIT for VSV

KIT-VSV include

ITEM	q.ty	description	material
5	2	special machined seat	Modified PTFE
6	2	o-ring seat	FKM
7	2	o-ring heads	FKM
8	2	o-ring stem	FKM
9	2	stem guide bushing	Modified PTFE
10	1	elastic ring (seeger)	AISI 304 stainless steel

CODE

- KSS-050-V-01
- KSS-075-V-01
- KSV-100-V-01
- KSV-150-V-01
- KSV-200-V-01
- KSV-250-V-01
- KSS-300-V-01
- KSS-400-V-01



* one piece only O-Ring stem for size 1/2" and 3/4"
 ** cavity filled seat available only for size 1/2" and 3/4"

Code **VSV seat**
 Modified PTFE for steam service

CONFIGURATOR



DATASHEETS



Last updates can be found on our website - www.aerreinox.it
 In the interests of development of the product, we reserve the right to change the specifications without prior notice

