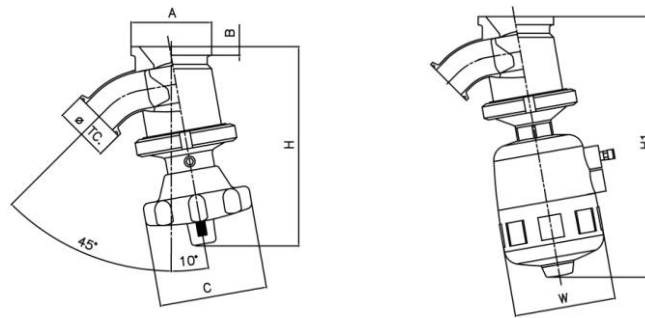




## VAA- S/TC Flush Tank Bottom welded body



(..) T → TFM PTFE  
(..) X → Silicone  
(...) MD → manual actuator  
(...) PB → pneumatic actuator

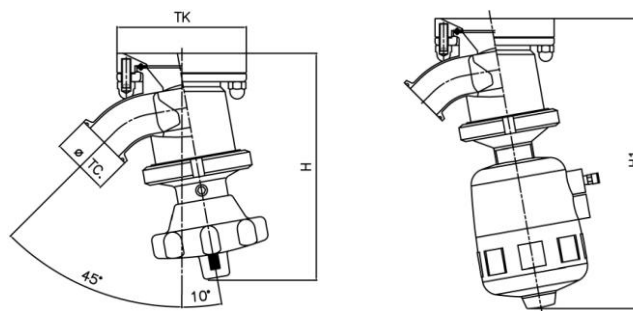
Dimensions table

| CODE                      | INCH   | DN  | □TC   | ID    | A   | B  | C   | H   | W   | H1  |
|---------------------------|--------|-----|-------|-------|-----|----|-----|-----|-----|-----|
| VAA-075AH-(..) (...) -71A | 3/4"   | 20  | 25    | 15,75 | 50  | 6  | 50  | 90  | 53  | 130 |
| VAA-100AJ-(..) (...) -71A | 1"     | 25  | 50,4  | 22,1  | 60  | 8  | 100 | 175 | 80  | 215 |
| VAA-150AM-(..) (...) -71A | 1" 1/2 | 40  | 50,4  | 34,8  | 75  | 8  | 100 | 185 | 101 | 260 |
| VAA-200AN-(..) (...) -71A | 2"     | 50  | 64    | 47,5  | 115 | 10 | 100 | 200 | 126 | 315 |
| VAA-300AP-(..) (...) -71A | 3"     | 80  | 90    | 72,9  | 125 | 12 | 100 | 260 | 158 | 380 |
| VAA-400AR-(..) (...) -71A | 4"     | 100 | 118,8 | 97,6  | 170 | 15 | 150 | 340 | 158 | 430 |

Special executions available on request :

- Welding plate with radius or bigger different thickness, special adaptors plate
- TFM 1600 PTFE bellow diaphragm for high viscosity products
- 45°Outlet port butt weld
- Stainless steel handle / pneumatic actuator
- Adjustable flow regulator
- Mechanical / inductive control box

## VAK - TK/TC TK-Connection removable body



(..) T → TFM PTFE  
(..) X → Silicone  
(...) MD → manual actuator  
(...) PB → pneumatic actuator

Dimensions table

| CODE                      | INCH   | DN  | □TC   | ID    | TK    | □TK | H   | H1                                    |
|---------------------------|--------|-----|-------|-------|-------|-----|-----|---------------------------------------|
| VAK-075AH-(..) (...) -71A | 3/4"   | 20  | 25    | 15,75 | 1"1/2 | 85  | 105 | 145                                   |
| VAK-100AJ-(..) (...) -71A | 1"     | 25  | 50,4  | 22,1  | 2"    | 100 | 190 | 225                                   |
| VAK-150AM-(..) (...) -71A | 1" 1/2 | 40  | 50,4  | 34,8  | 2"1/2 | 112 | 200 | 270                                   |
| VAK-200AN-(..) (...) -71A | 2"     | 50  | 64    | 47,5  | 4"    | 170 | 220 | 340                                   |
| VAK-300AP-(..) (...) -71A | 3"     | 80  | 90    | 72,9  | 4"    | 170 | 270 | 390                                   |
| VAK-400AR-(..) (...) -71A | 4"     | 100 | 118,8 | 97,6  |       |     |     | Not available for TK-Conn application |

Special executions available on request:

- TK-Connection welding plate with radius or bigger different thickness, special adaptors plate
- TFM 1600 PTFE bellow diaphragm for high viscosity products
- 45°Outlet port butt weld
- Stainless steel handle / pneumatic actuator
- Adjustable flow regulator
- Mechanical / inductive control box

**Get the information you need and more at : [info@aerreinox.it](mailto:info@aerreinox.it)**

In the interests of development and improvement of the product, we reserve the right to change the specifications without prior notice.

**Aerre Inox s.r.l.**

26010 FIESCO Via Gerola n.4 -CREMONA - Italy  
Tel. +39. 0374. 370828 Fax +39. 0374. 370833  
e-mail : [info@aerreinox.it](mailto:info@aerreinox.it) http : [www.aerreinox.it](http://www.aerreinox.it)