

VAR

Aseptic Tank Bottom Valve

Straight removable flanged body



The welding flange of the valve is conceived to be flush welded to the vessel bottom. With a sturdy design it is the ideal solution for high thickness tanks, guaranteeing also a simple and fast maintenance. Conceived to be completely cleanable and sterilizable; It also offers a wide range of optional and fully customizable according to project requirements.



ADVANTAGES:

- ✓ Simple and fast maintenance
- ✓ Removable solution
- ✓ Minimized dead leg
- ✓ Compact body
- ✓ CIP/SIP cleanable/sterilizable
- ✓ No product entrapment
- ✓ Minimized diaphragm's stress, more reliability and lifespan
- ✓ Certified materials for Pharmaceutical use
- ✓ Full traceability

APPLICATION:

Designed for meeting the requirements of the tanks in the Pharmaceutical, Food & Beverage, Cosmetics, Dairy and Fine Chemicals industries.

Our valves are suitable for direct installation on the bottom of tanks and preparation reactors for product discharge, with the best combination of hygienic design and flow optimization.

Size range	1" - 1" ½ - 2" - 3" - 4" - 6"
End connections	Tri-Clamp or butt weld dimensionally according to ASME BPE
Stainless steel in contact parts Material	AISI 316L - 1.4404
Diaphragm Material	Modified PTFE Silicone (up to 2")
Internal surface finish	Ra ≤ 0.5µm
Working pressure rating	From 1" to 2" Vacuum + 6 barg 3" and 4" Vacuum + 5 barg 6" Vacuum + 3.5 barg
Certifications	3.1 material certificates (in contact) according to UNI EN 10204 FDA USP Class VI ATEX other certificates on request

*For actuators and optional see page 2-3

For further details about codes and download of the drawings, visit our [CONFIGURATOR](#)

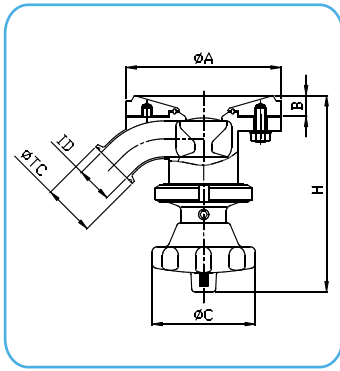
CONFIGURATOR



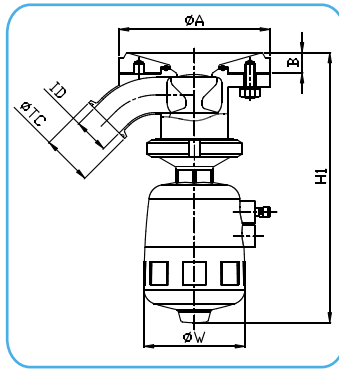
DATASHEETS



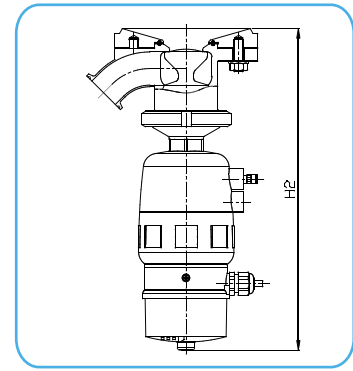
Last updates can be found on our website - www.aerreinox.it
In the interests of development of the product, we reserve the right to change the specifications without prior notice



**VAR
MANUAL
THERMOPLASTIC**



**VAR
PNEUMATIC
THERMOPLASTIC**



**VAR
PNEUMATIC
THERMOPLASTIC
+ SWITCH BOX**

CODE	INCH	DN	ØTC mm	ID mm	ØA mm	B mm	ØC mm	H mm	ØW mm	H1 mm	H2 mm
VAR-100AJ-...-71A	1"	25	50.5	22.1	100	15	100	173	80	220	293
VAR-150AM-...-71A	1" ½	40	50.5	34.8	150	20	100	193	101	267	337
VAR-200AN-...-71A	2"	50	64	47.5	180	20	100	206	126	337	405
VAR-300AP-...-71A	3"	80	91	72.9	200	30	100	250	211	411	503
VAR-400AR-...-71A	4"	100	119	97.4	300	40	150	337	261	462	555

*... Check our [configurator](#) for the complete code

STANDARD DIAPHRAGM

Size	Modified PTFE	Silicone
1"	MVA-100-T	MVA-100-X
1" ½	MVA-150-T	MVA-150-X
2"	MVA-200-T	MVA-200-X
3"	MVA-300-T	-
4"	MVA-400-T	-

*The diaphragm's materials are not interchangeable. Contact us for switching from a material to another.



MODIFIED PTFE



SILICONE

STANDARD ACTUATORS

- Manual and pneumatic thermoplastic have both visual position indicator
- Minimum air pressure for actuator opening:

Size	Bar
1"	5.5
1" ½	6
2"	5
3"	4.5
4"	4



**MANUAL
THERMOPLASTIC**



**PNEUMATIC
THERMOPLASTIC
SIMPLE EFFECT N.C.**

CONFIGURATOR




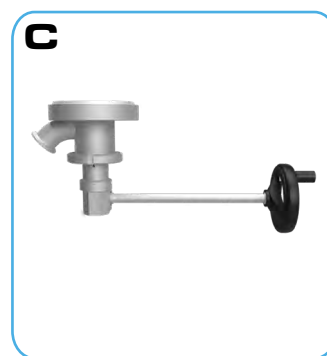
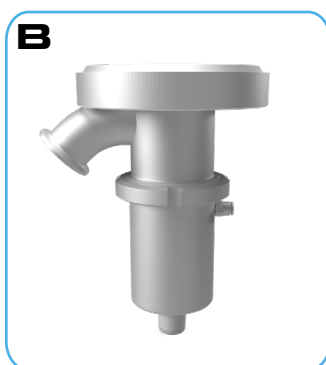
Last updates can be found on our website - www.aerreinox.it
In the interests of development of the product, we reserve the right to change the specifications without prior notice

DATASHEETS





- Manual stainless steel **(A)**
 - Pneumatic stainless steel simple effect N.C. **(B)**
 - Pneumatic stainless steel double effect
 - Pneumatic thermoplastic simple effect N.O.
 - Pneumatic thermoplastic double effect
 - 90 Deg extension for manual actuator **(C)**
 - Limit switch box **(D)**
 - Sensors on handle **(E)**
 - CIP/SIP Connection for internal chamber **(F)**
 - CIP/ SIP satellite valve **(G)**
 - Bellow type diaphragm for an increased stroke **(H)**
 - Diaphragm with AISI 316L coating cap, for abrasive crystal application **(I)**
 - Electropolishing
 - Internal surface finish $Ra \leq 0.38\mu m$
 - Other Materials
 - Customizable on request
 - ATEX certification
- CE  II 2G Ex h IIB T6...T3 Gb X
II 2D Ex h IIIC T85°C...T155°C Db X



CONFIGURATOR



Last updates can be found on our website - www.aerreinox.it
In the interests of development of the product, we reserve the right to change the specifications without prior notice

DATASHEETS

